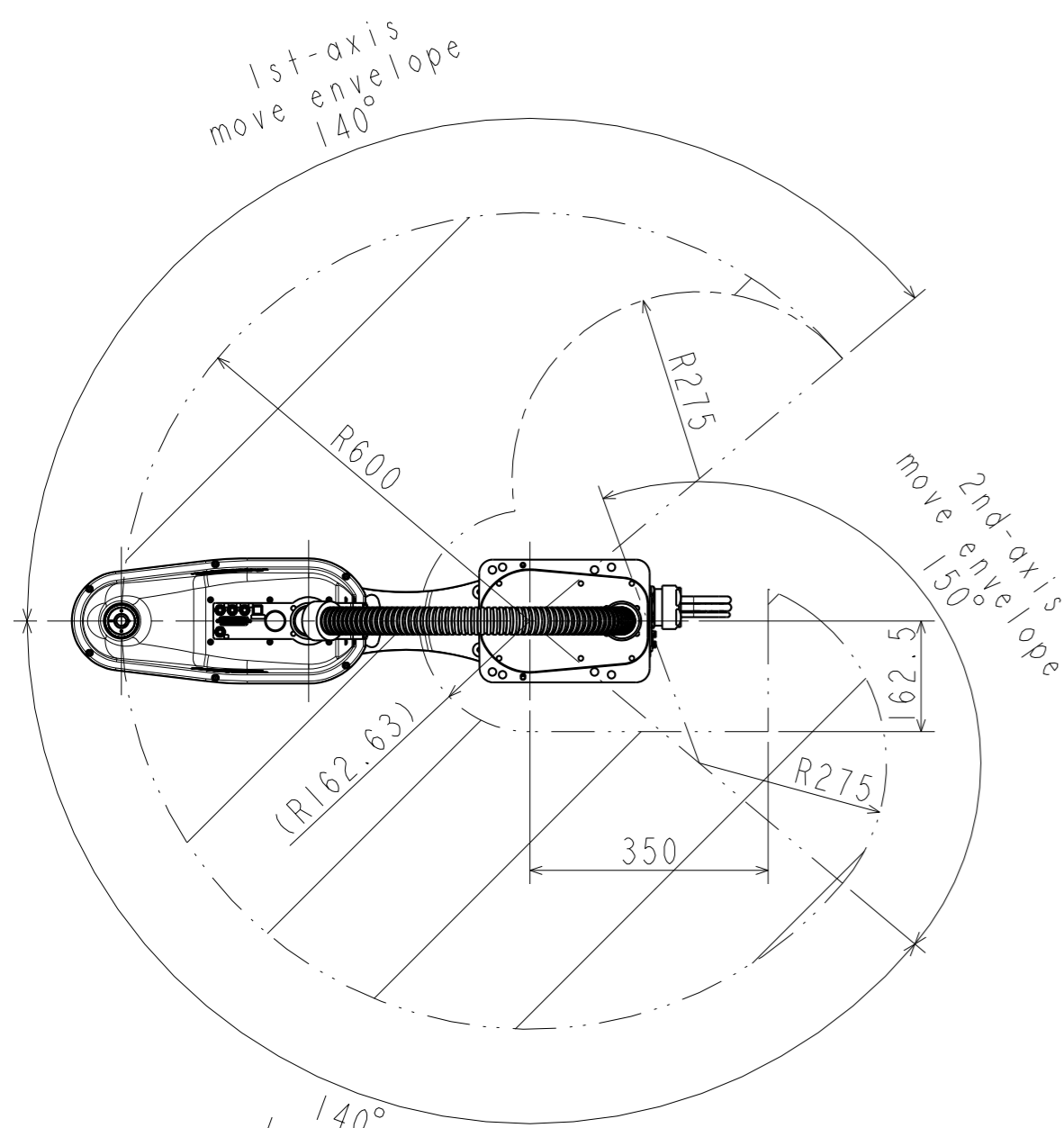
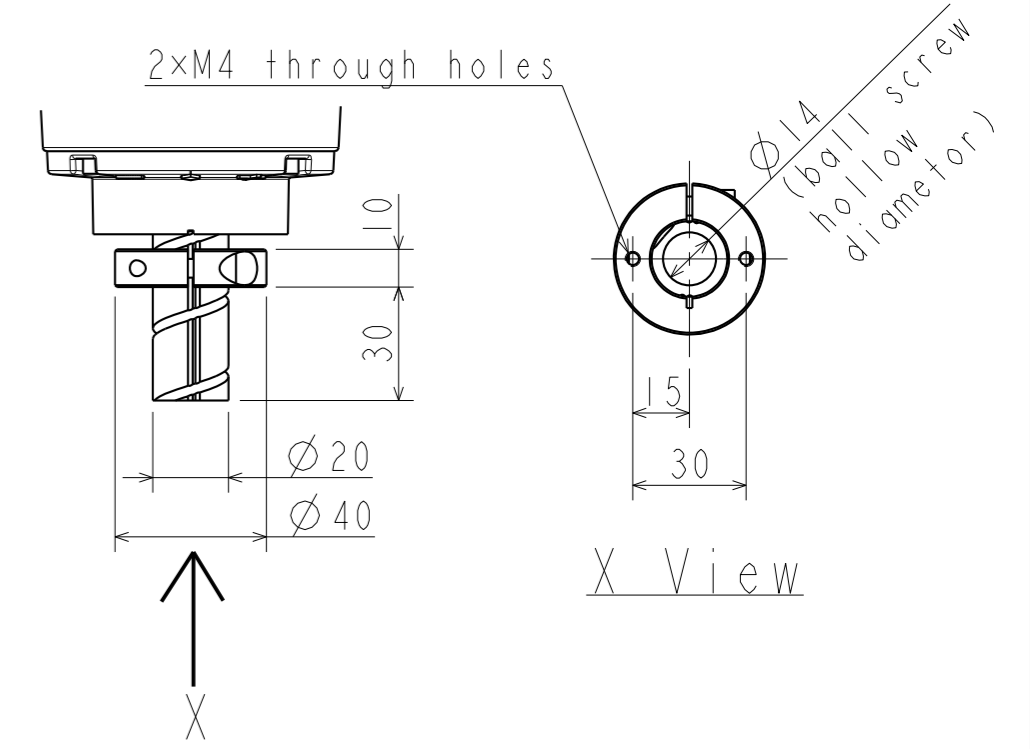
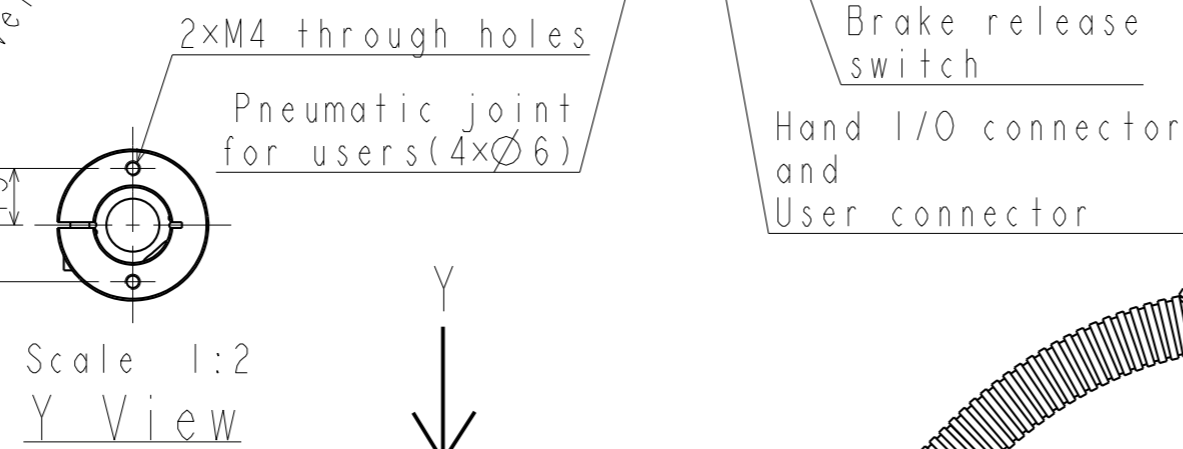
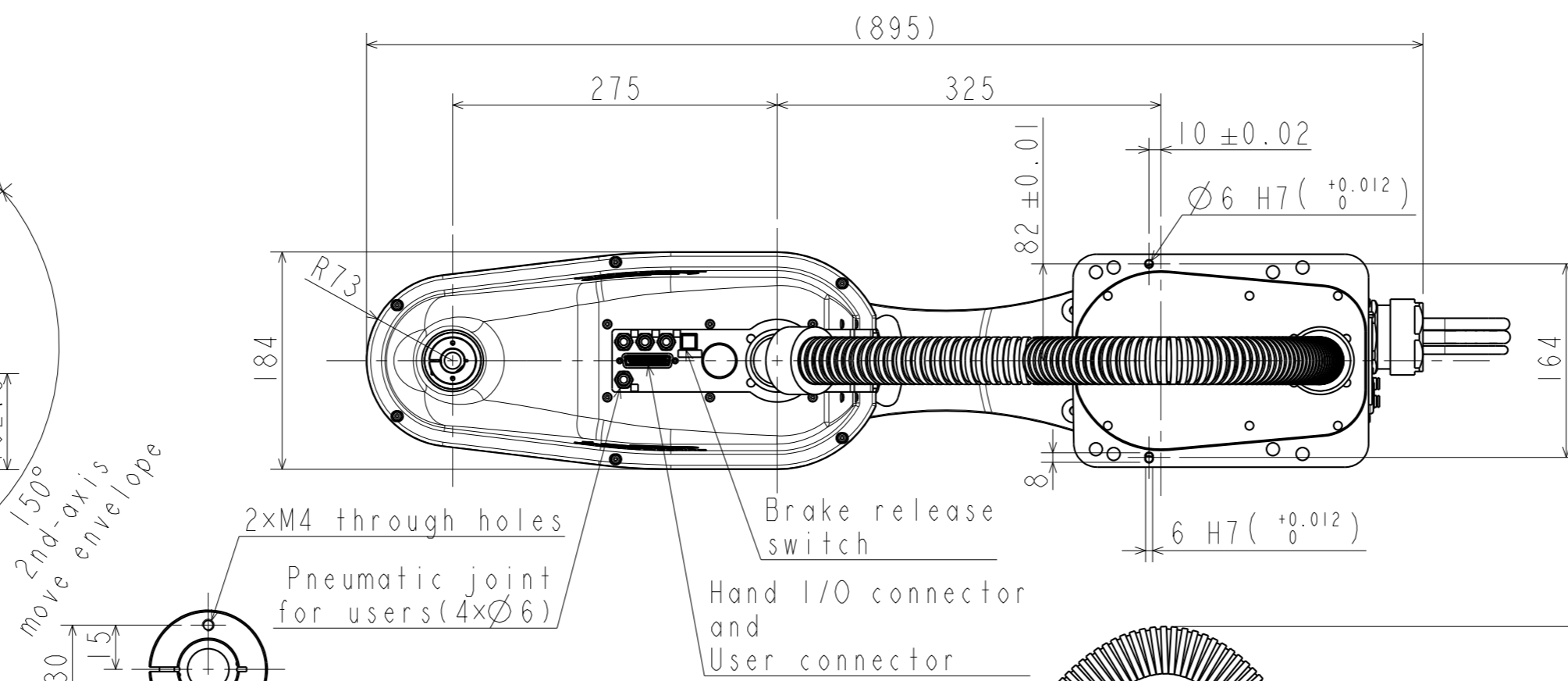


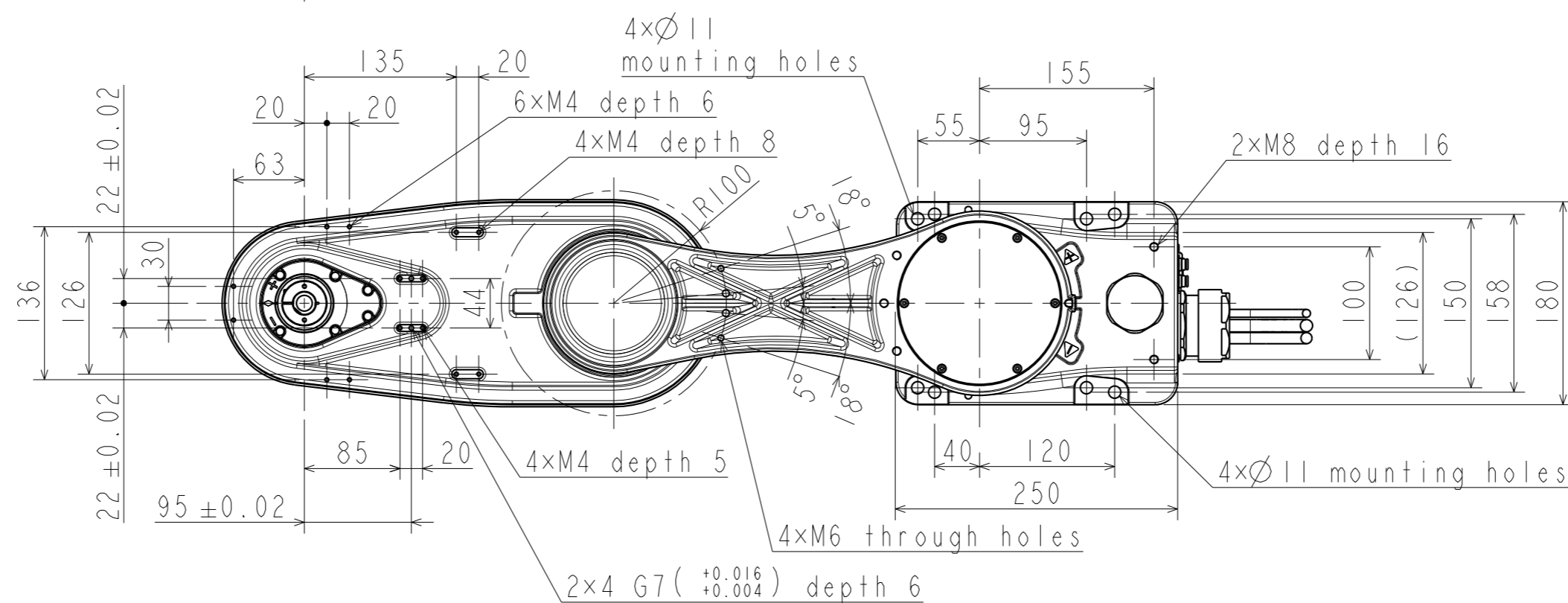
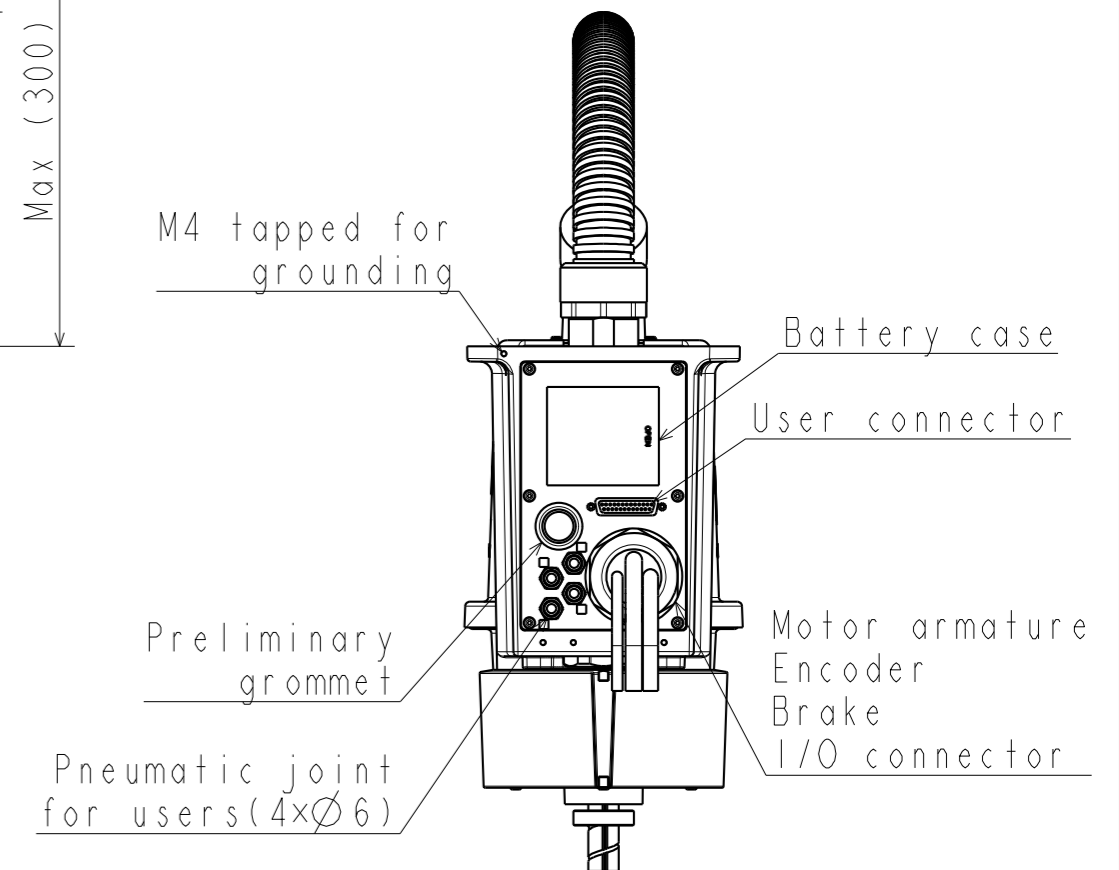
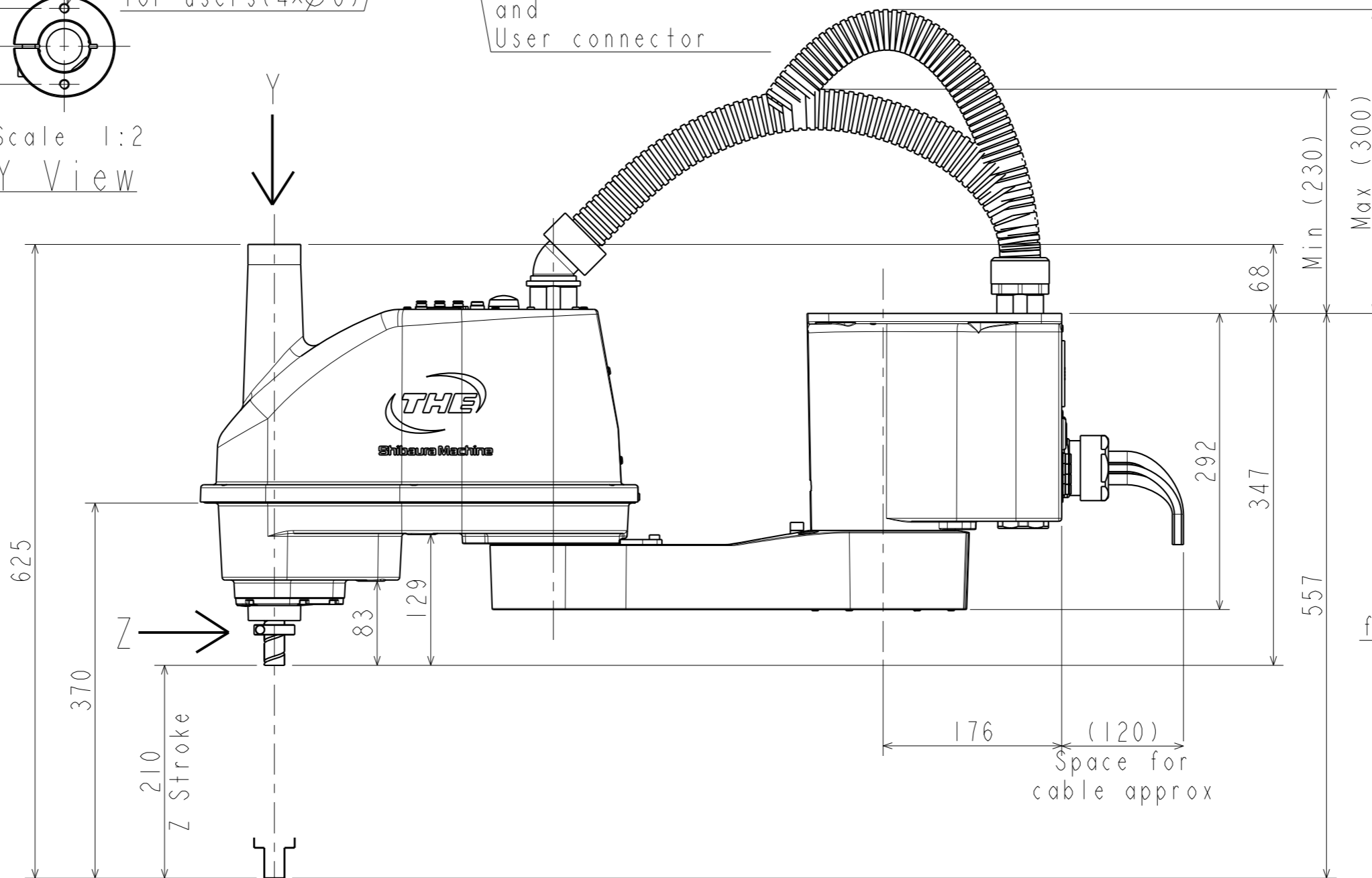
Scale 1:10
Lefty Move envelope



Scale 1:10
Righty Move envelope



Scale 1:2
Z View Detail
installation view of hand



System Robot Outline	
Scale 1:5	
THE600-T	
SHIBAURO MACHINE CO., LTD.	S-2NT24-0