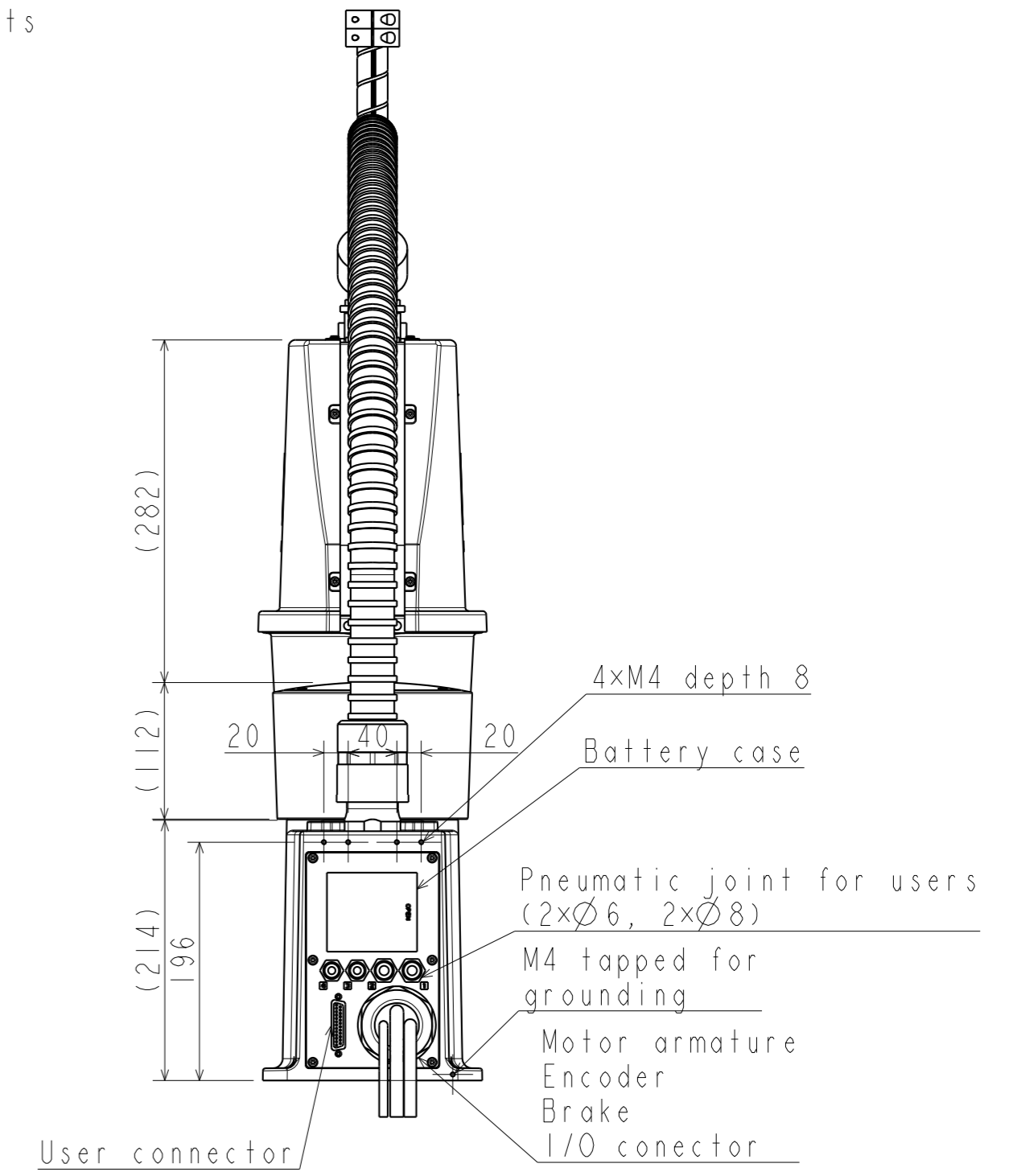
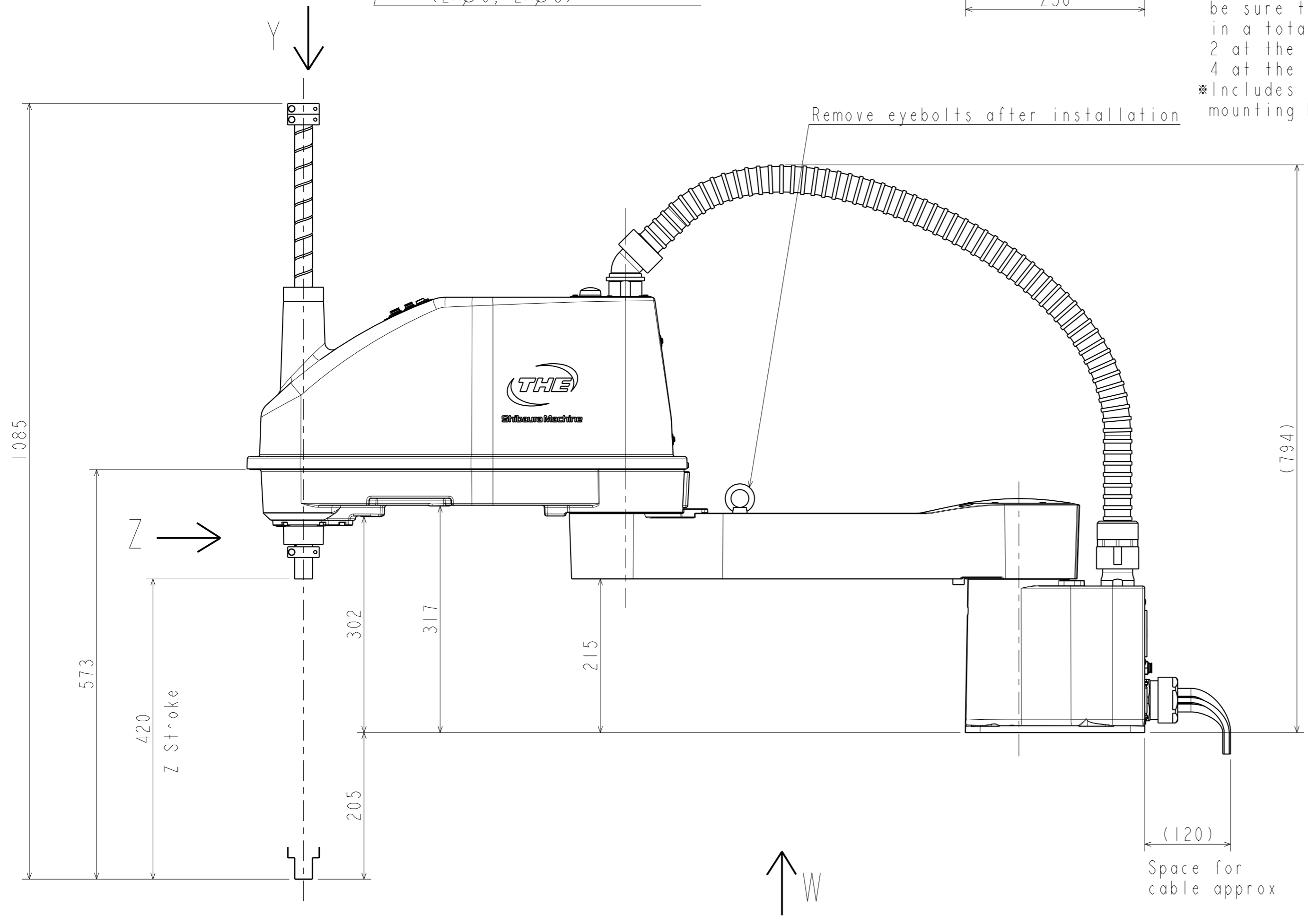
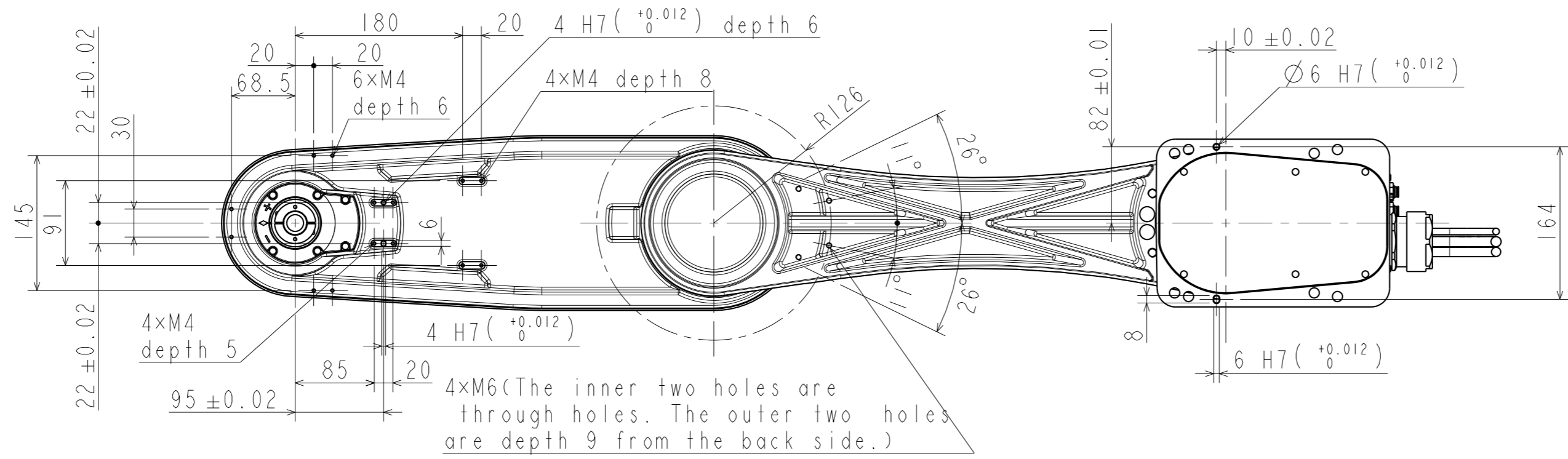


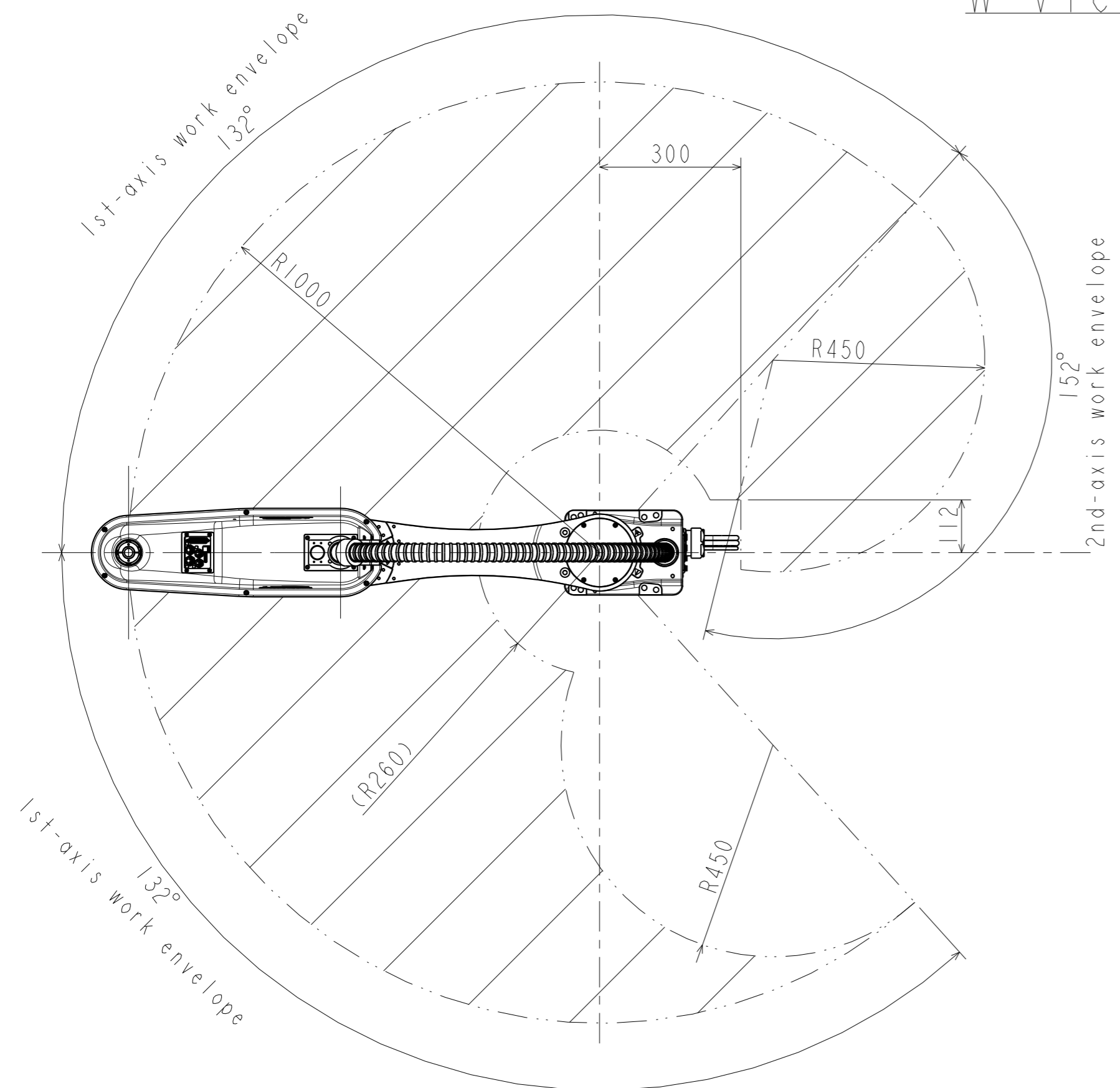
*When installing the robot, be sure to fix the robot in a total of 6 places, 2 at the front and 4 at the rear.
 *Includes six mounting M10 bolts

Z view Detail installation view of hand



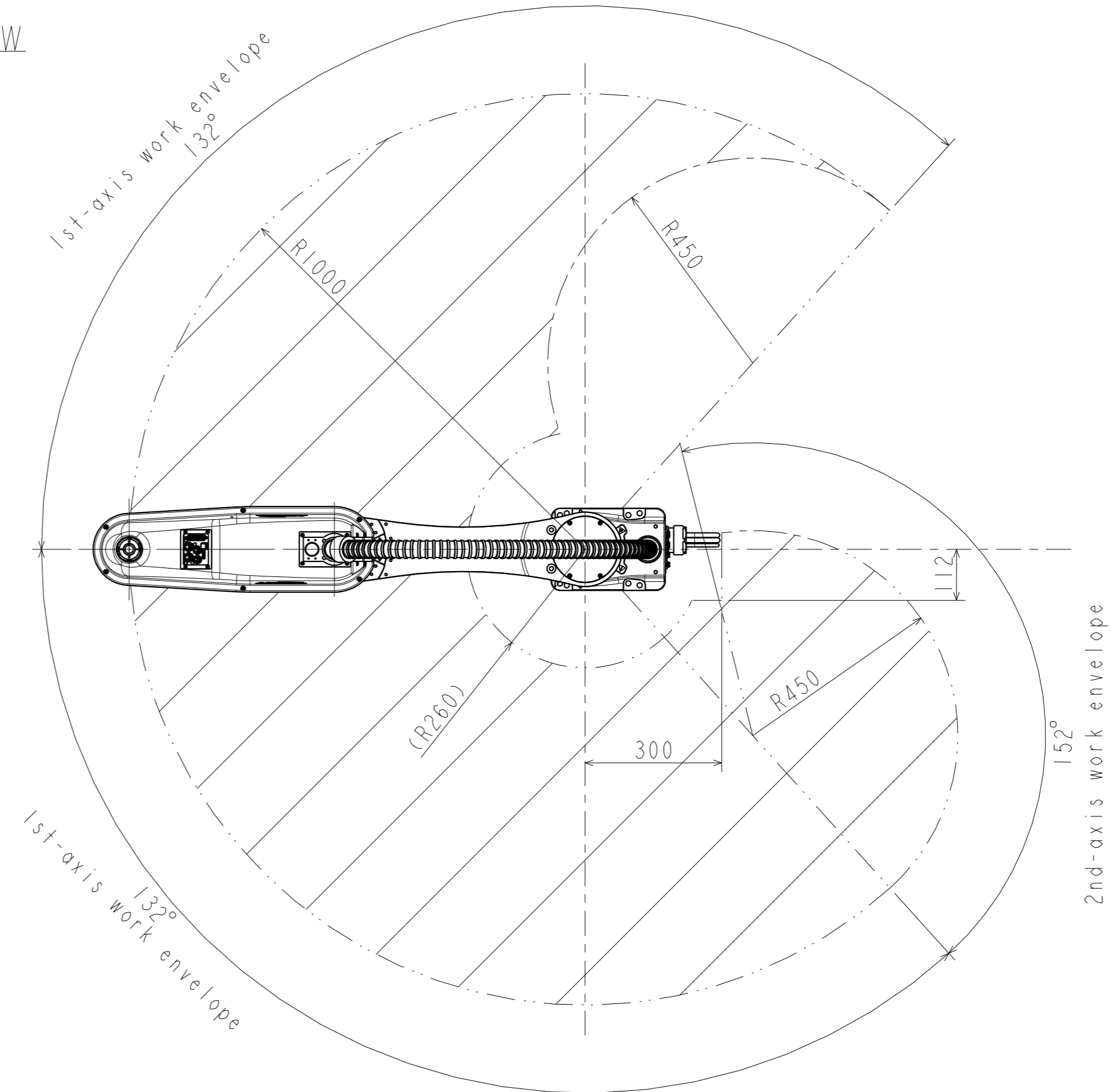


W view



Scale 1:10

Lefty work envelope



Scale 1:10

Righty work envelope

System Robot Outline	
Scale 1:5	
THE1000	
SHIBAURA MACHINE CO.,LTD.	S-2VT22-2