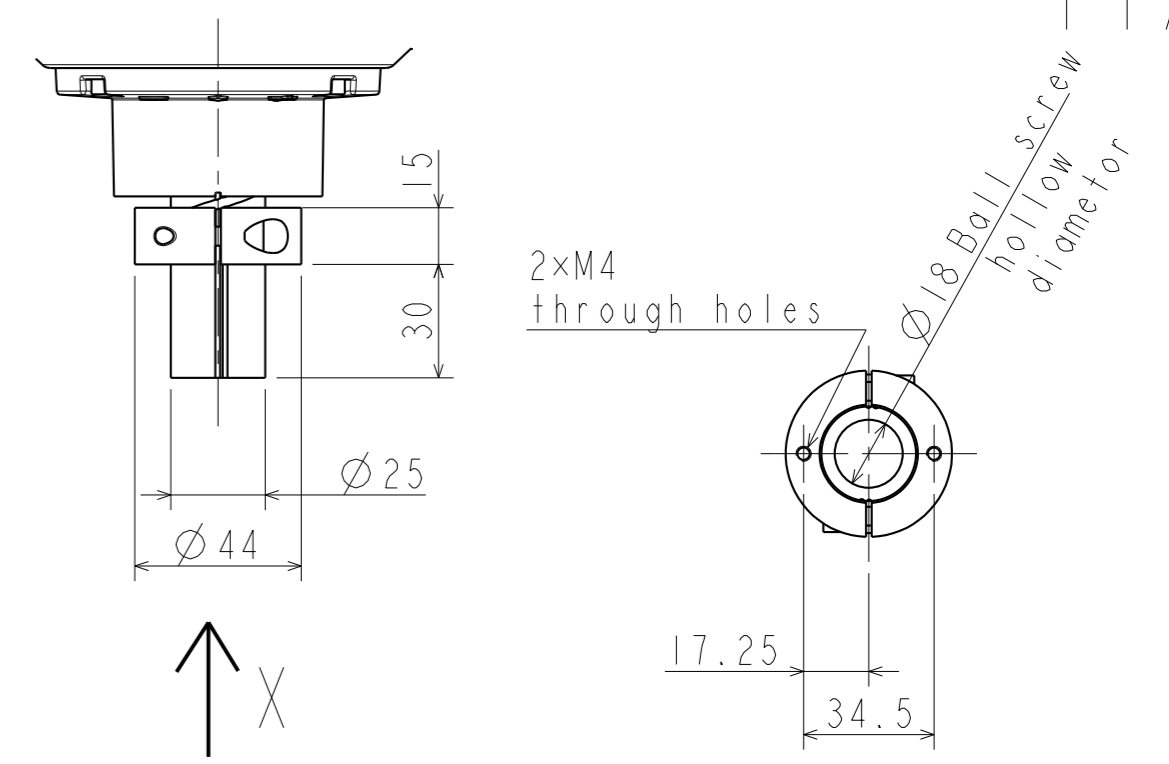
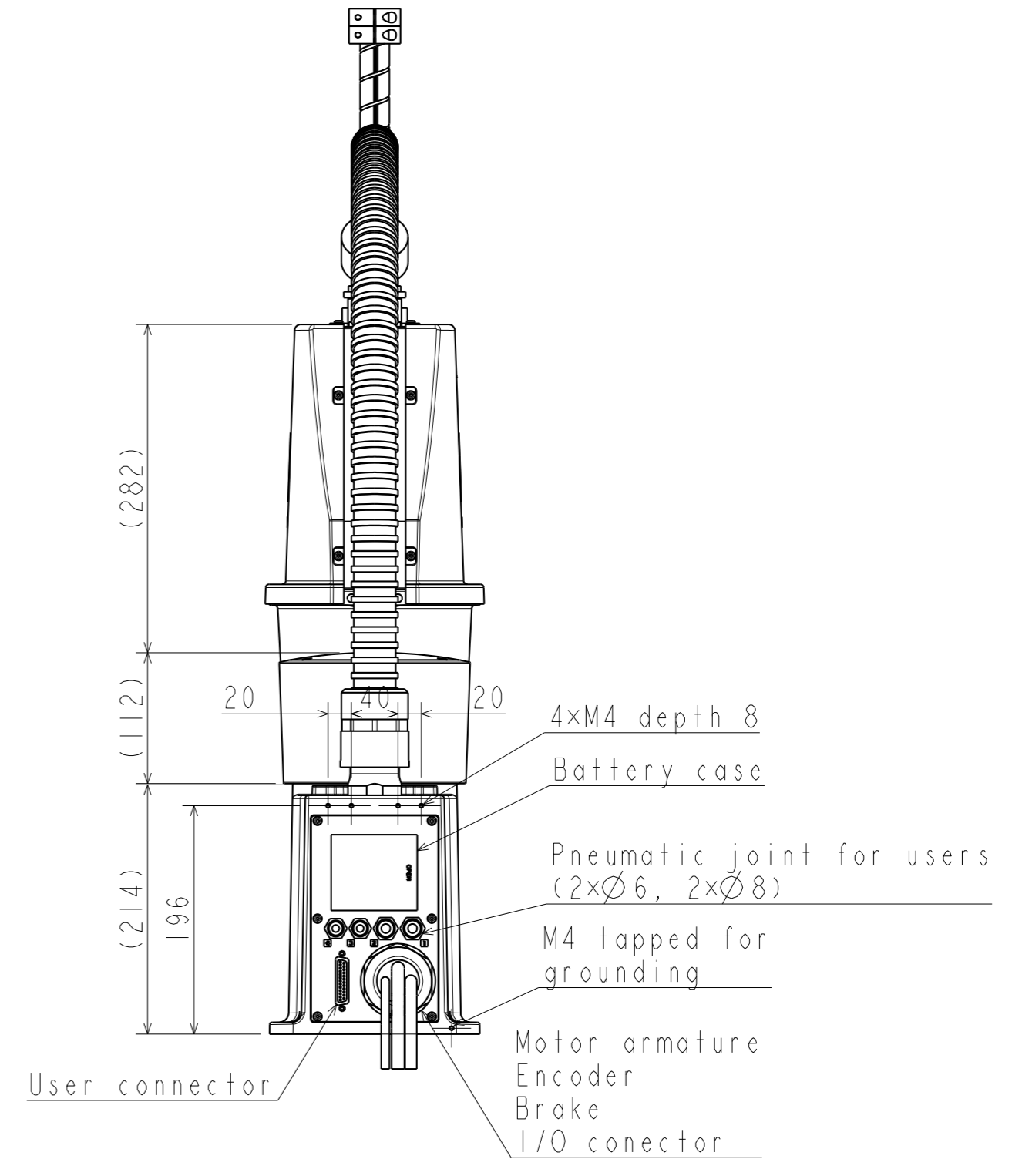
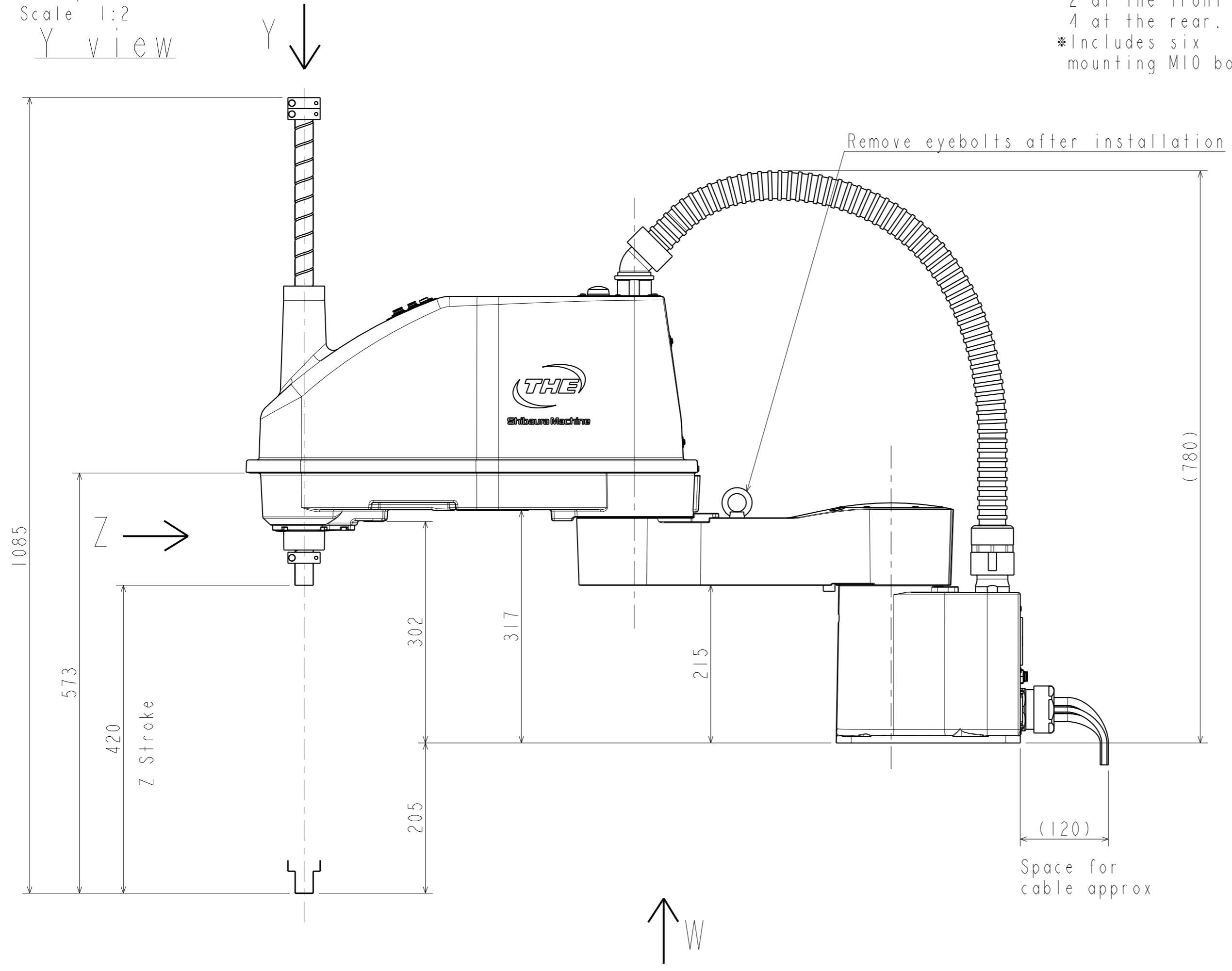


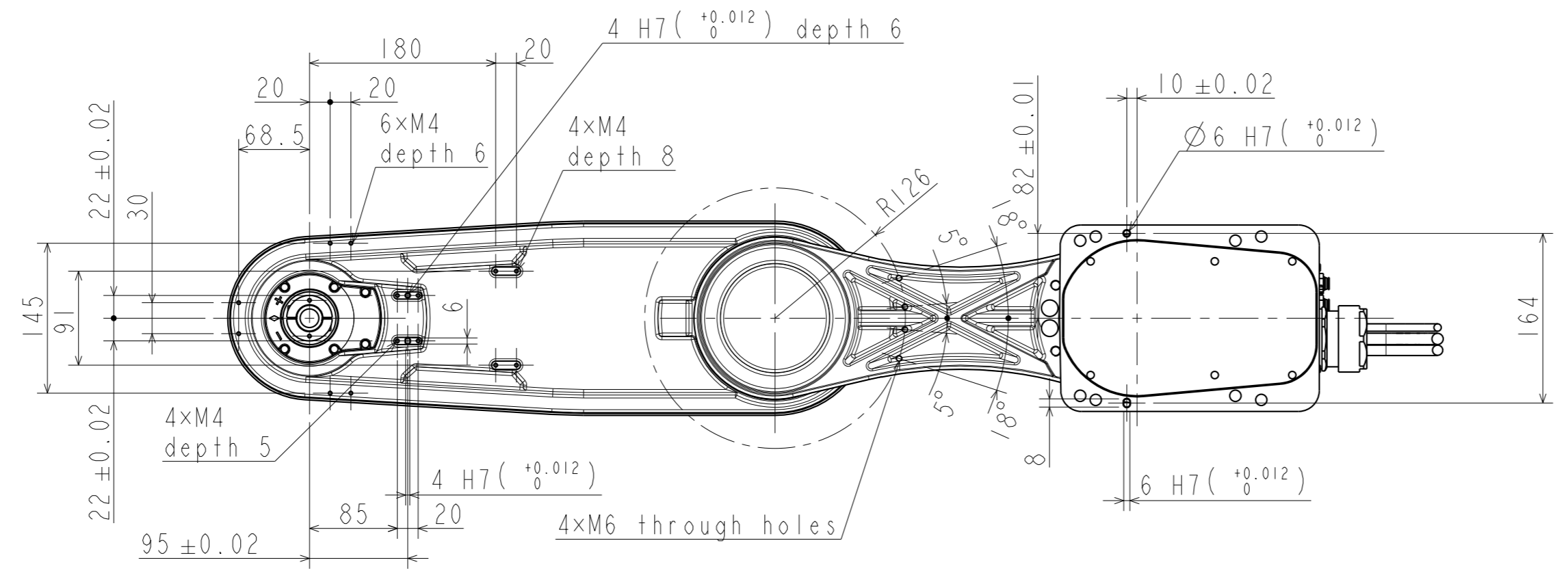
Scale 1:2  
Y view



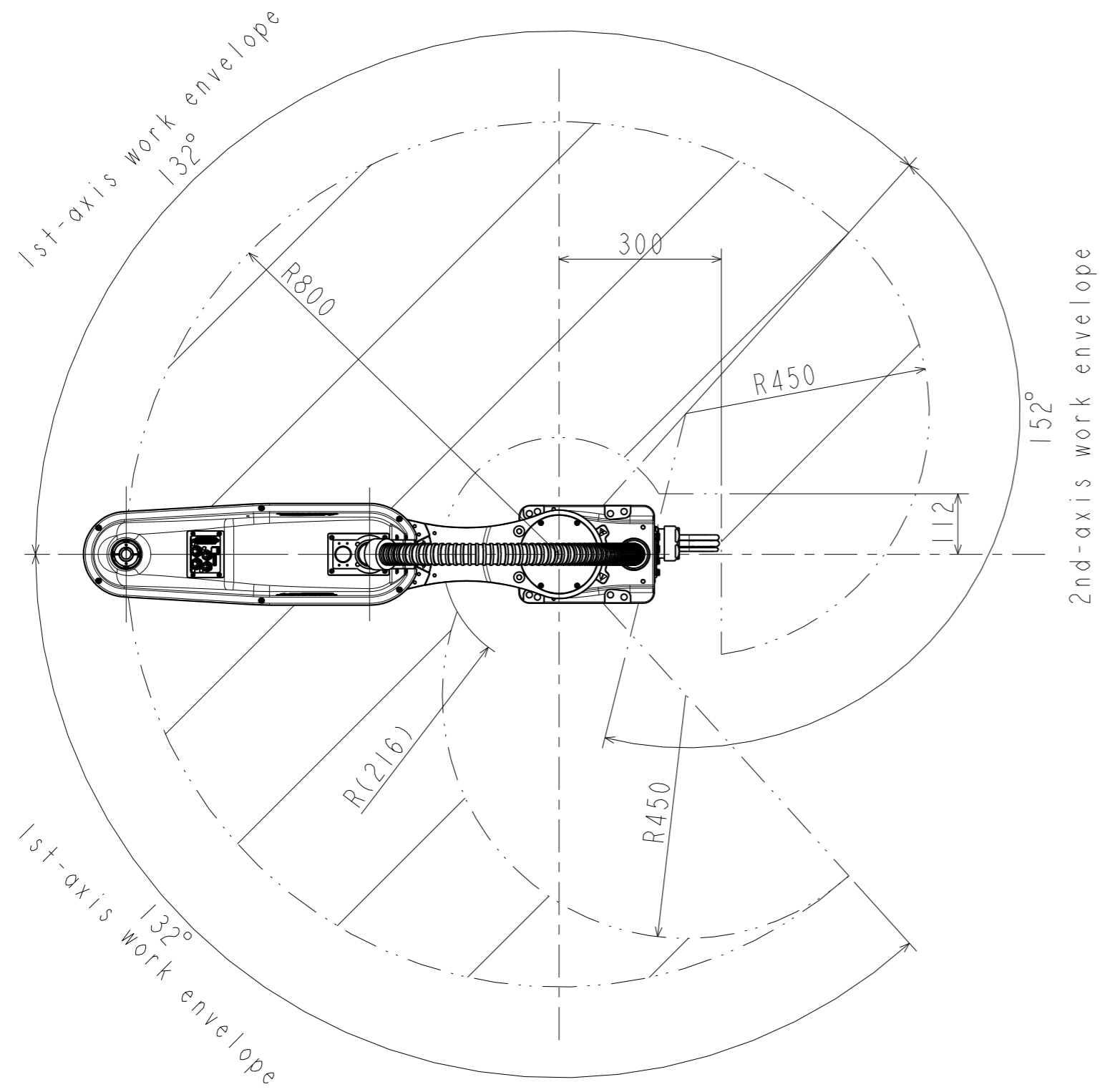
Scale 1:2  
Z view Detail  
X view  
installation view of hand

\*When installing the robot, be sure to fix the robot in a total of 6 places, 2 at the front and 4 at the rear.  
\*Includes six mounting M10 bolts



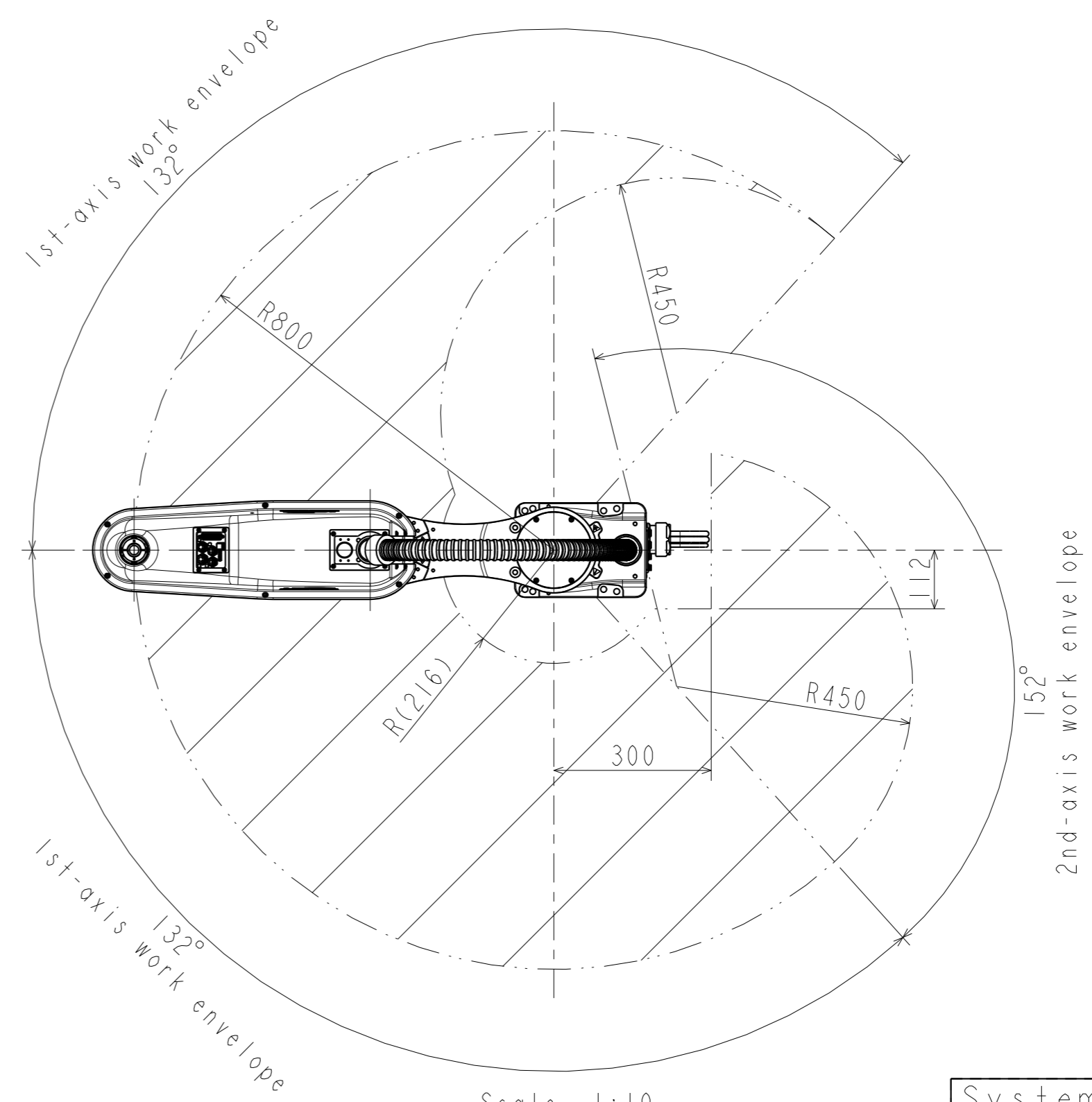


W view



Scale 1:10

Lefty work envelope



Scale 1:10

Righty work envelope

System Robot Outline	
Scale 1:5	
THE800	
SHIBAURA MACHINE CO.,LTD.	S-2VT20-2