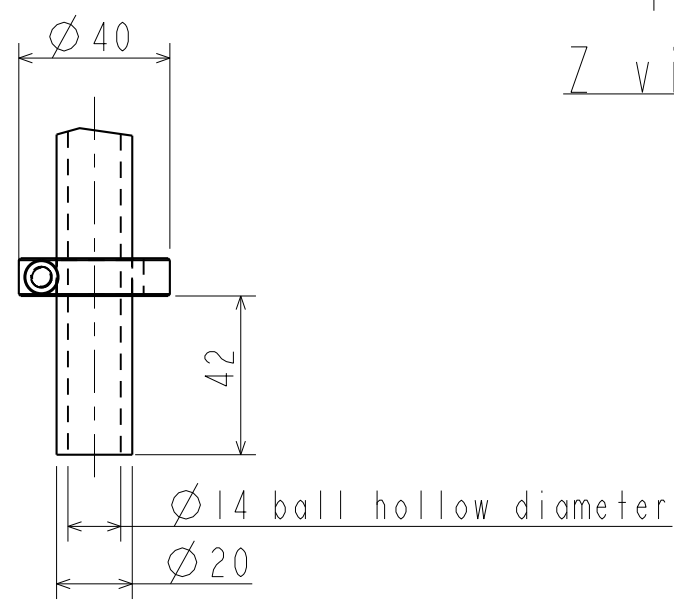
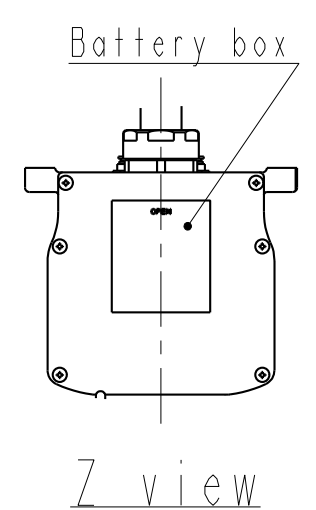
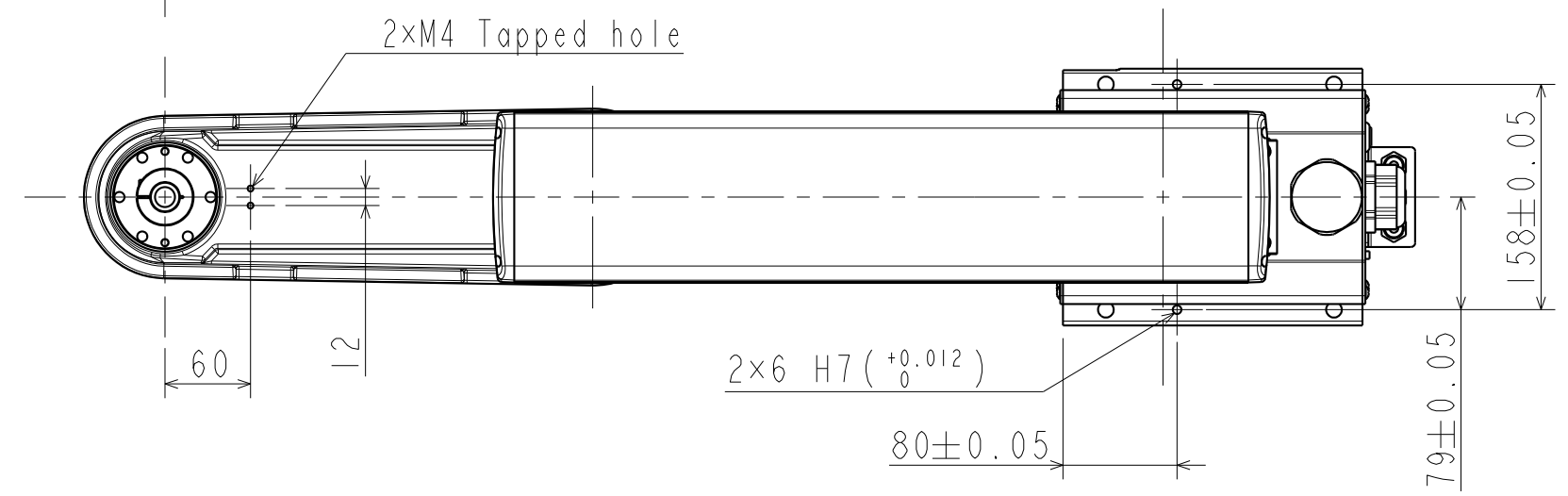
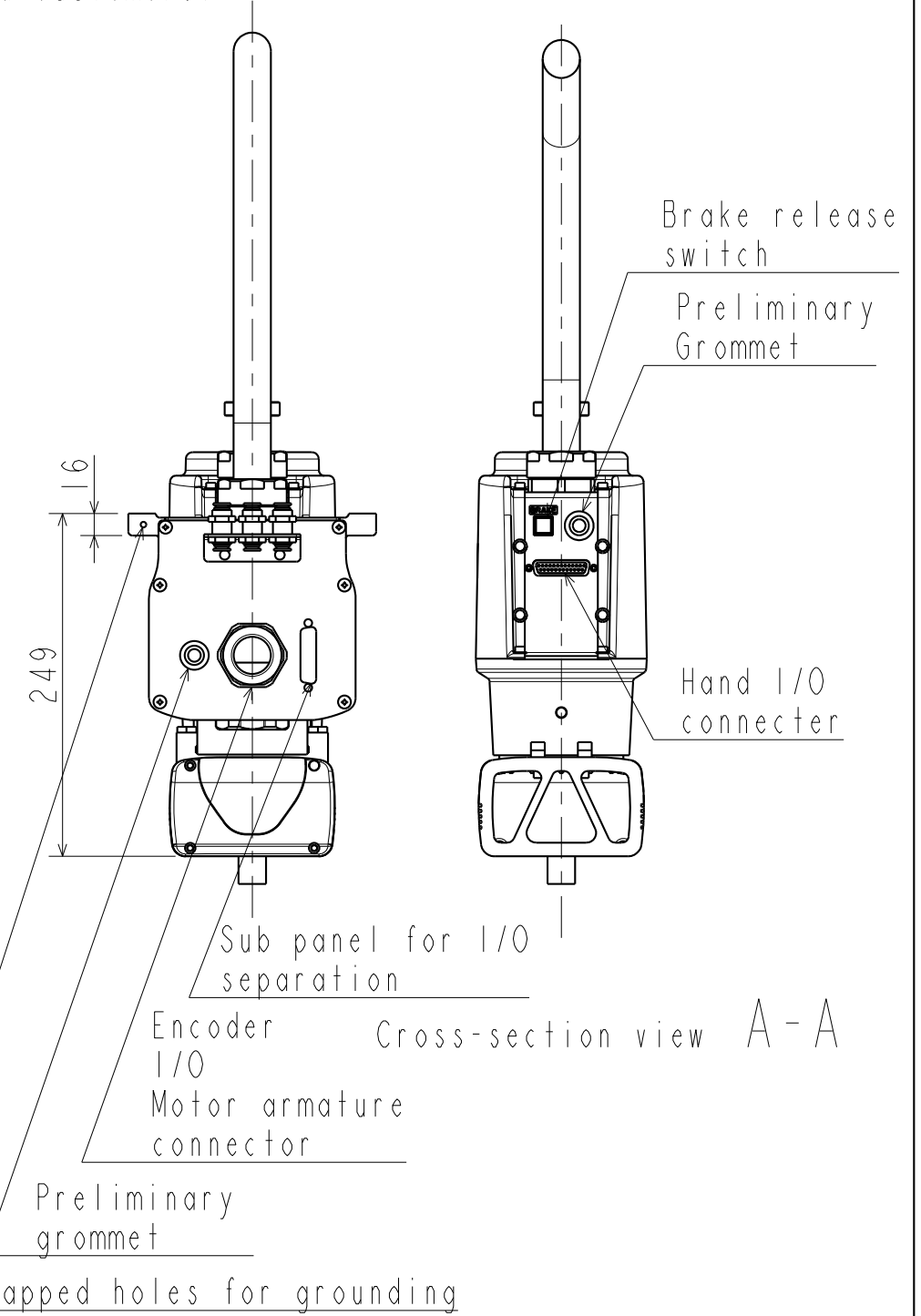
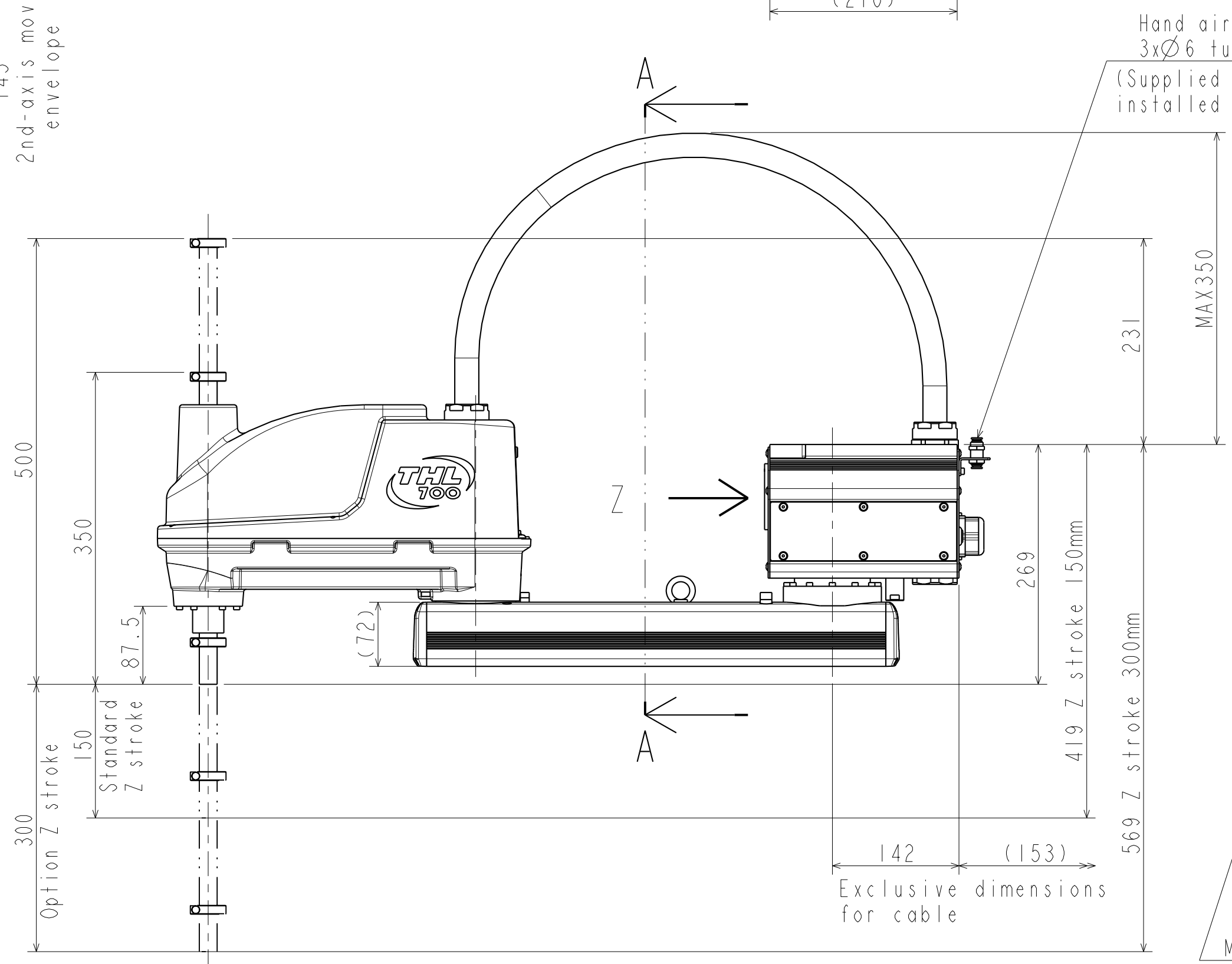
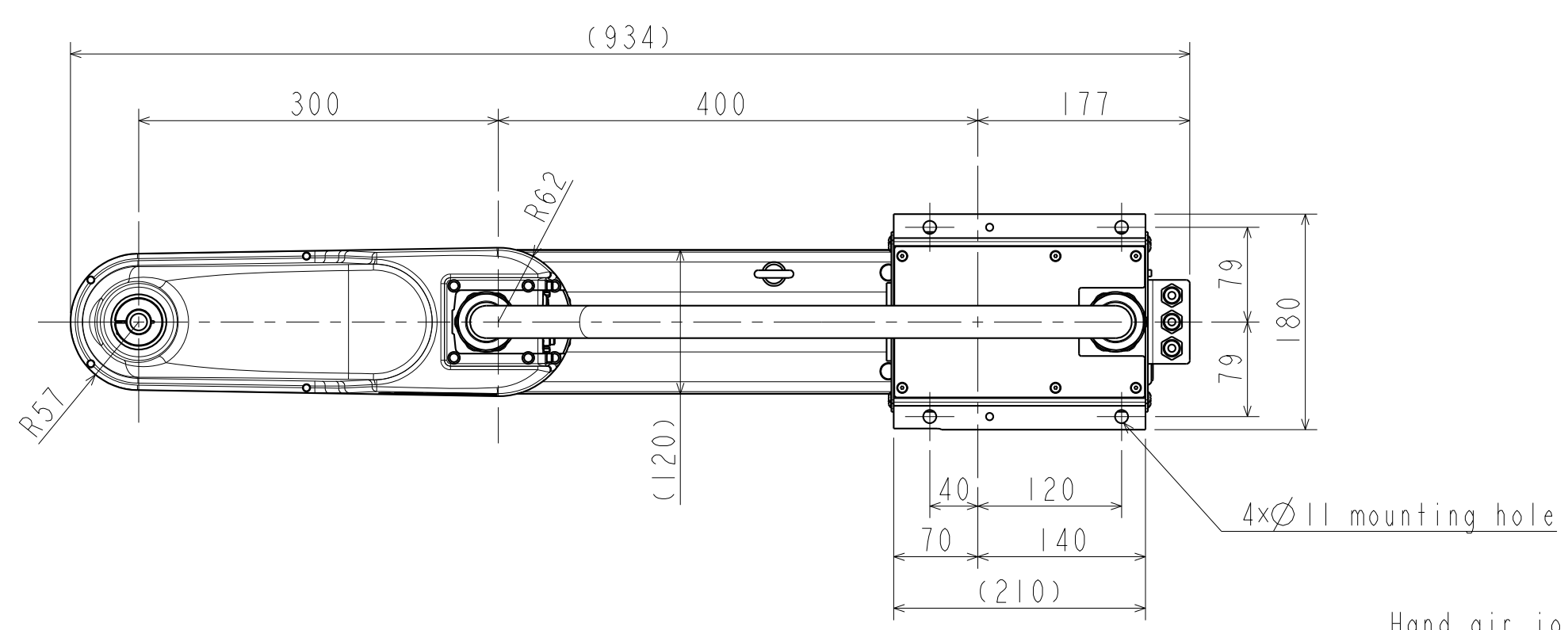


Move envelope  
Scale 1:10



Detail installation  
view of hand  
Scale 1:2



System Robot Outline	
Scale 1:5	
THL700-T	
SHIBAURA MACHINE CO.,LTD.	S-2GE20-2