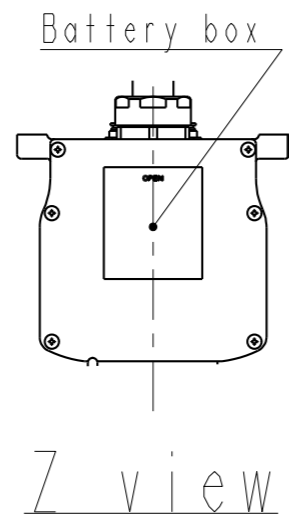
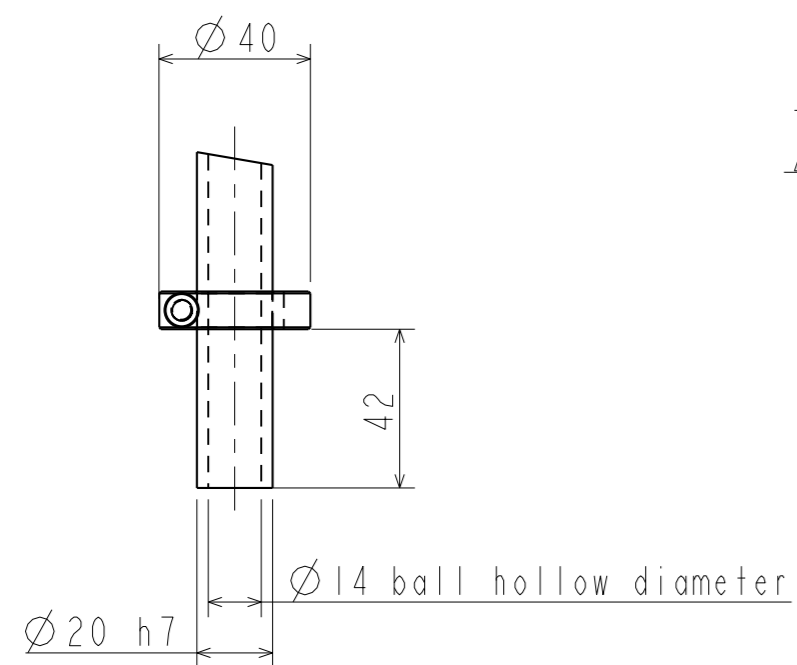


Move envelope
Scale 1:6

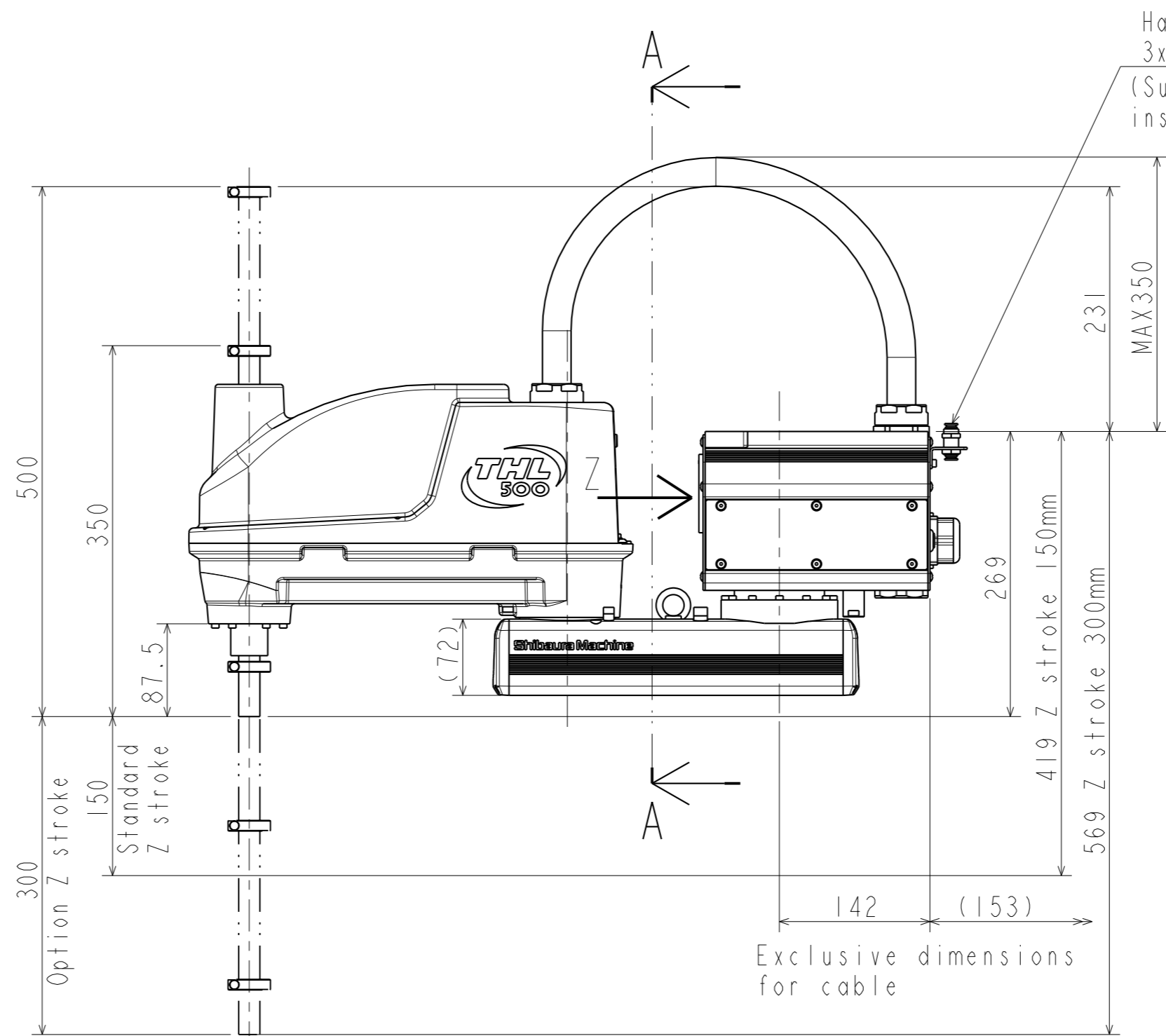
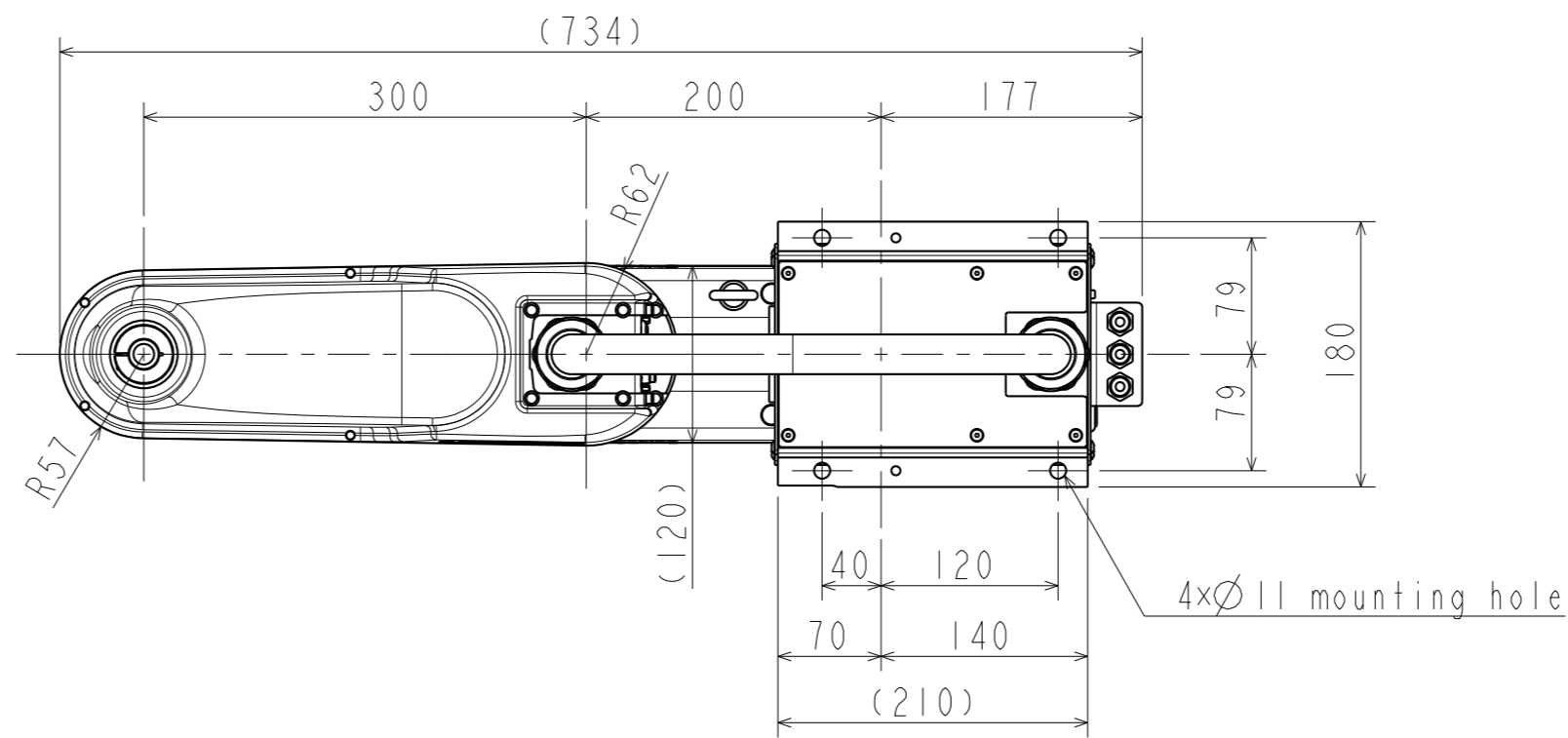


Z view

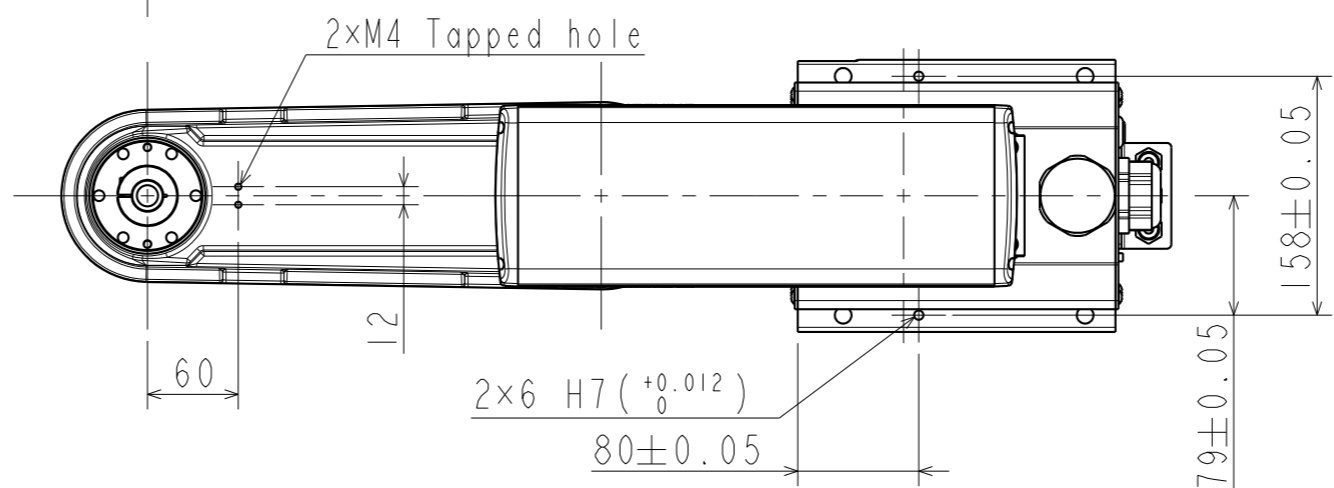
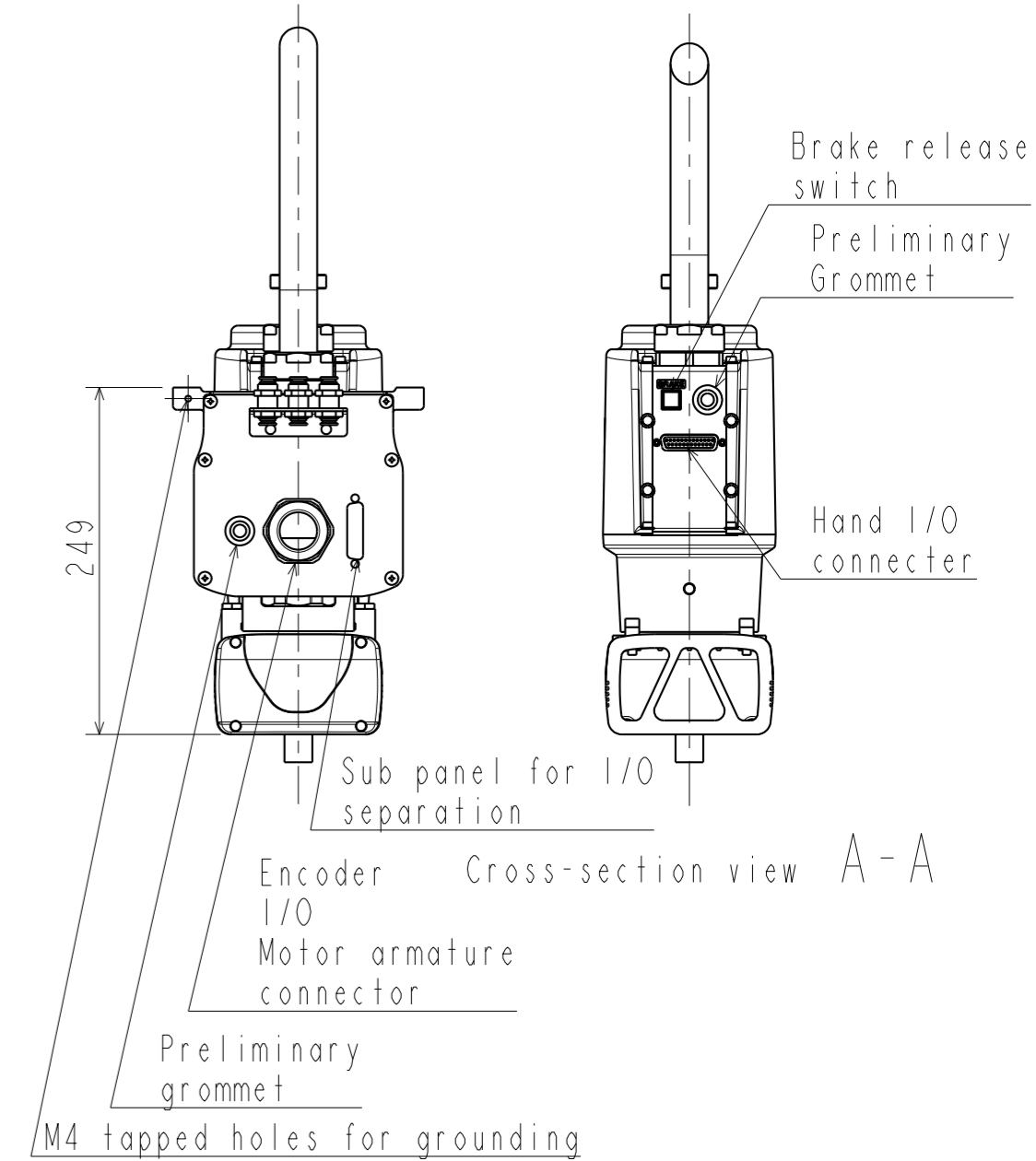


Detail installation
view of hand

Scale 1:2



Hand air joint for
3xØ6 tube
(Supplied air tube is
installed by a customer.)



System Robot Outline	
Scale 1:5	
THL500-T	
SHIBAURA MACHINE CO., LTD.	S-2GE16-2