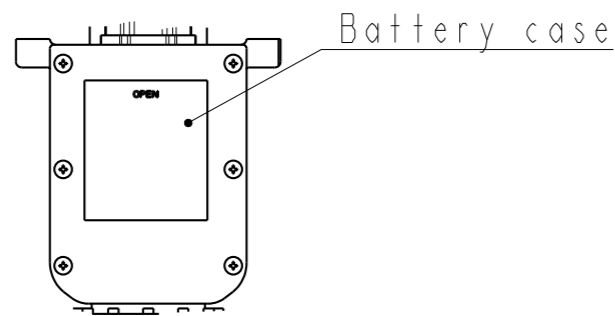
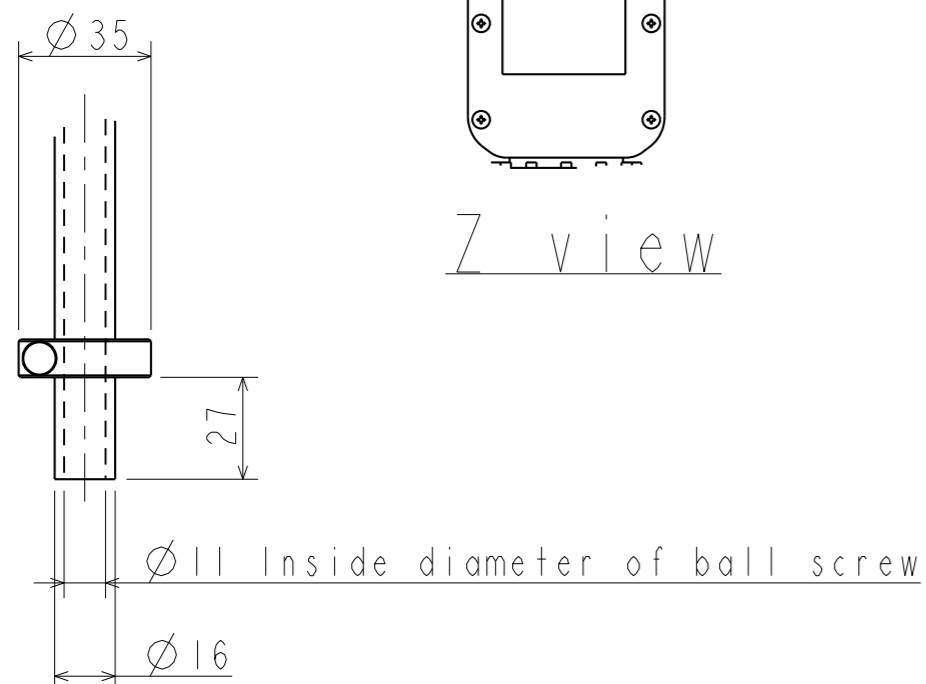


Move envelope

Scale 1:5

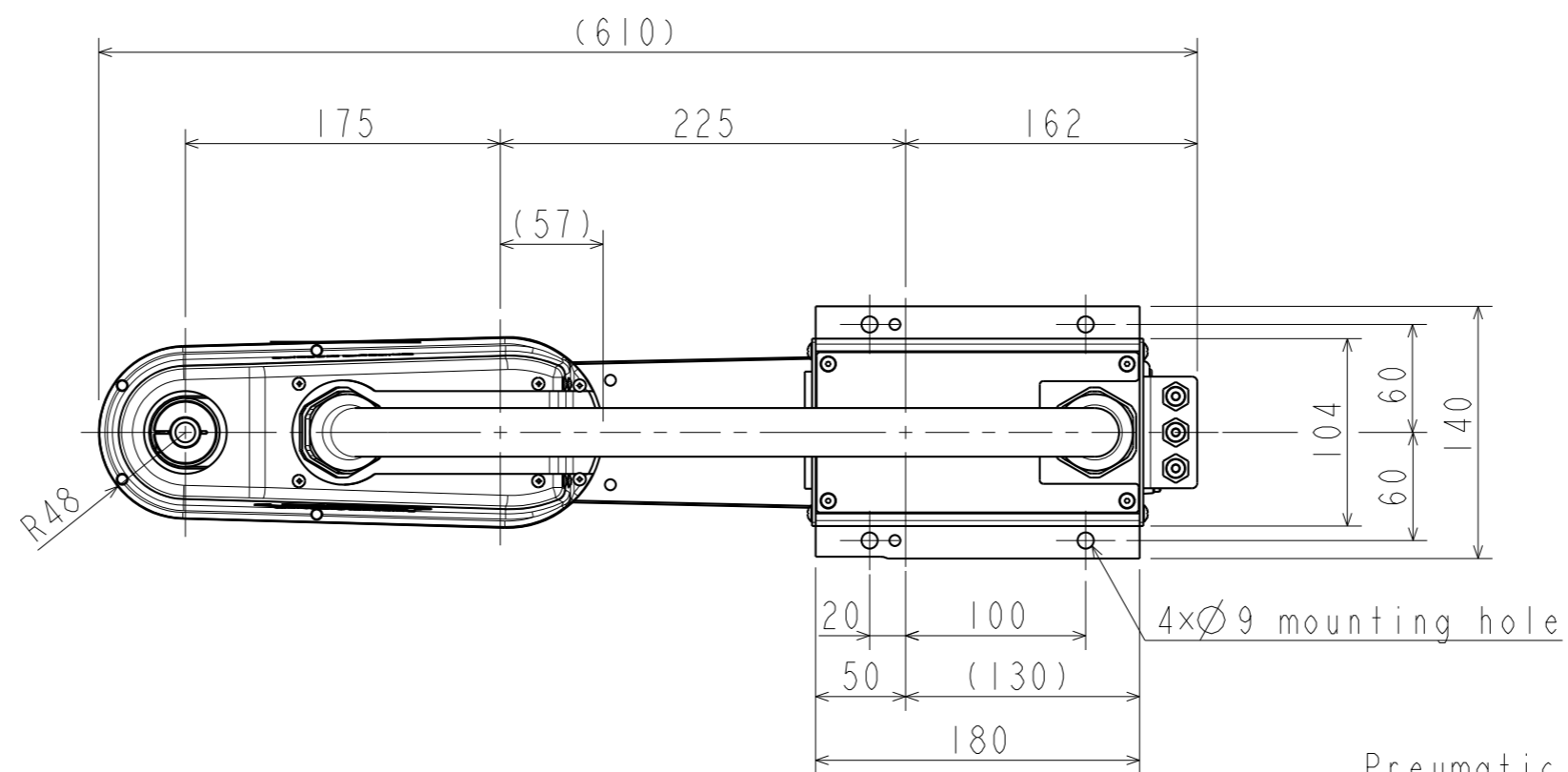


Z view



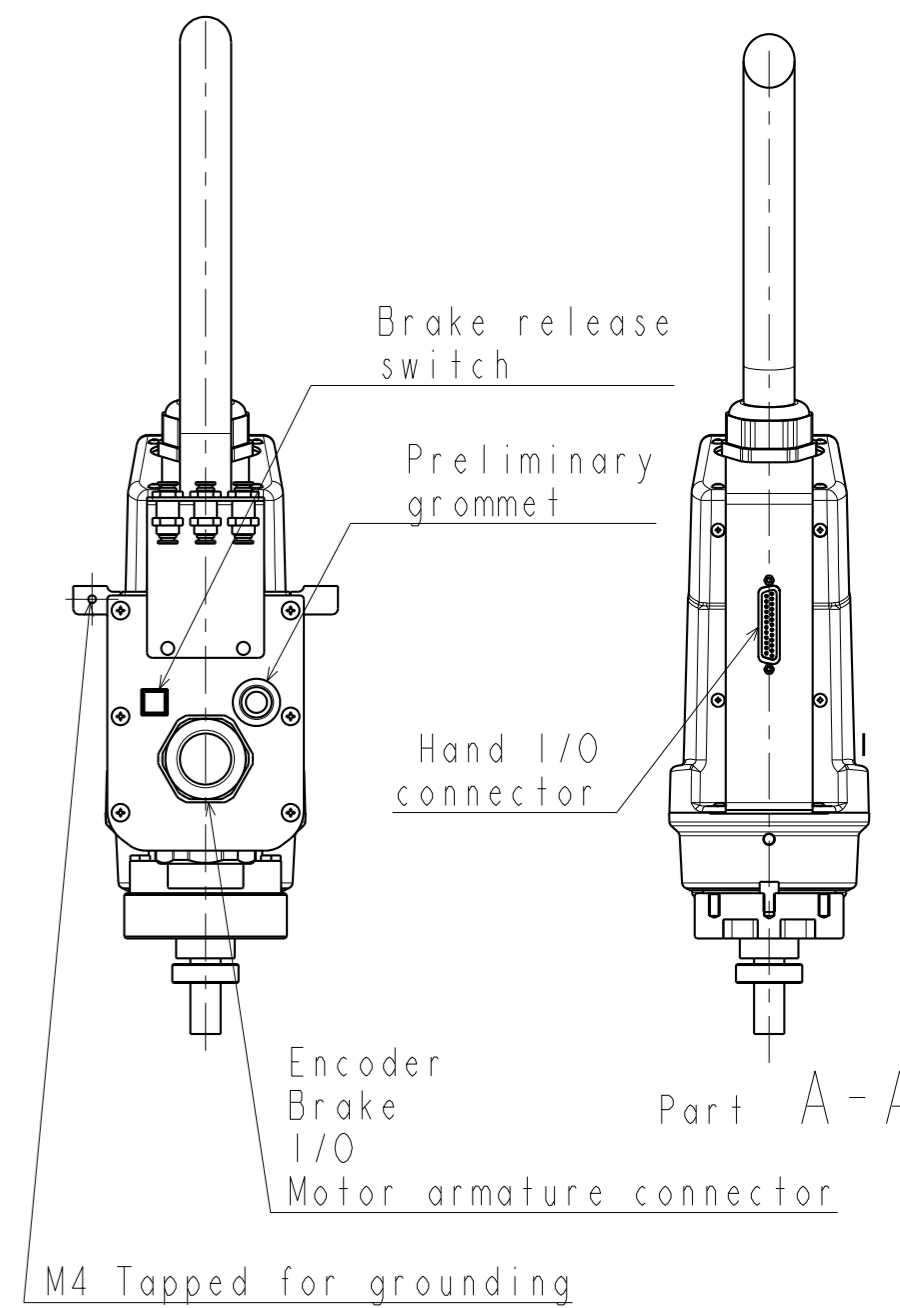
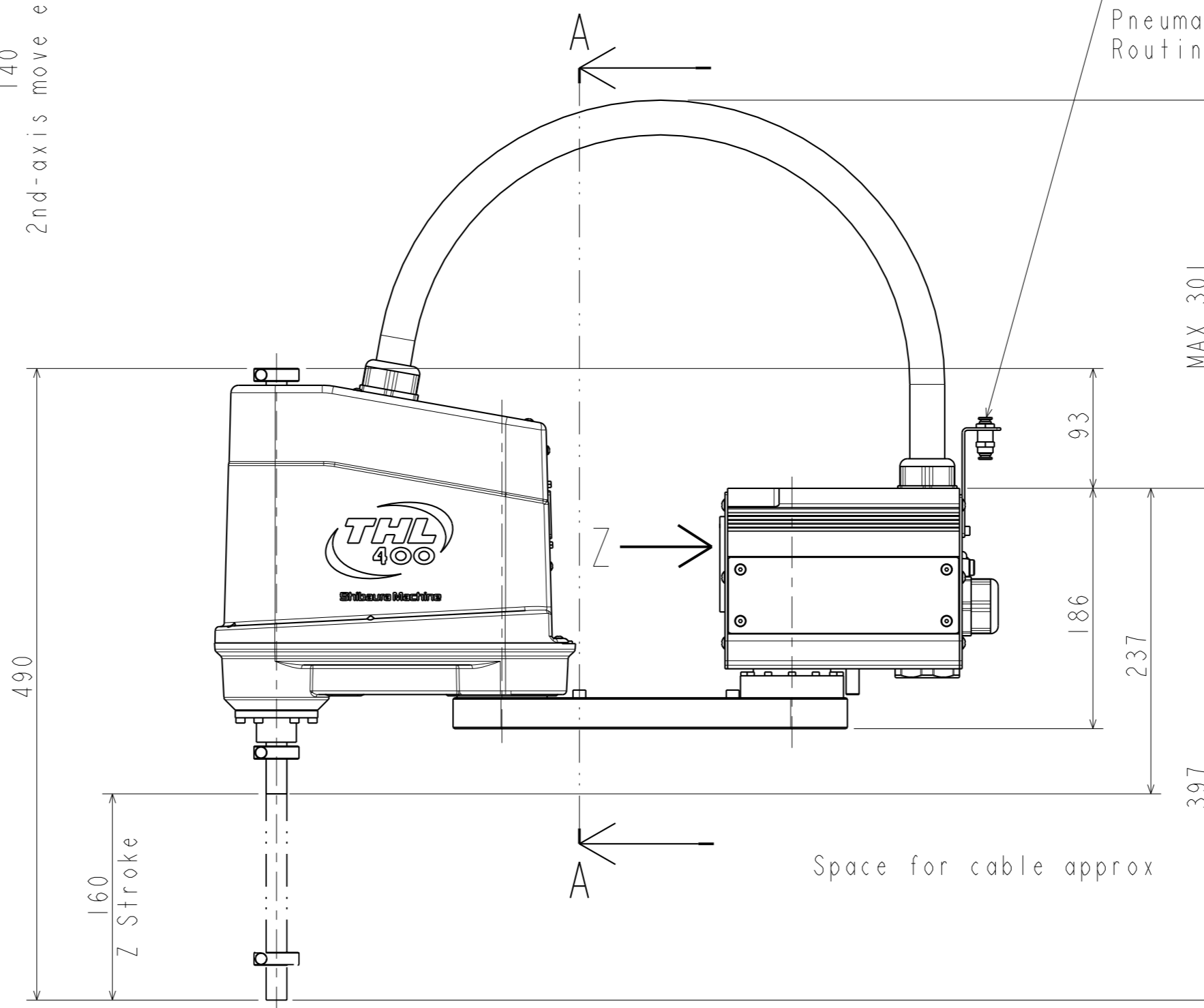
Detail installation view of hand

Scale 1:2

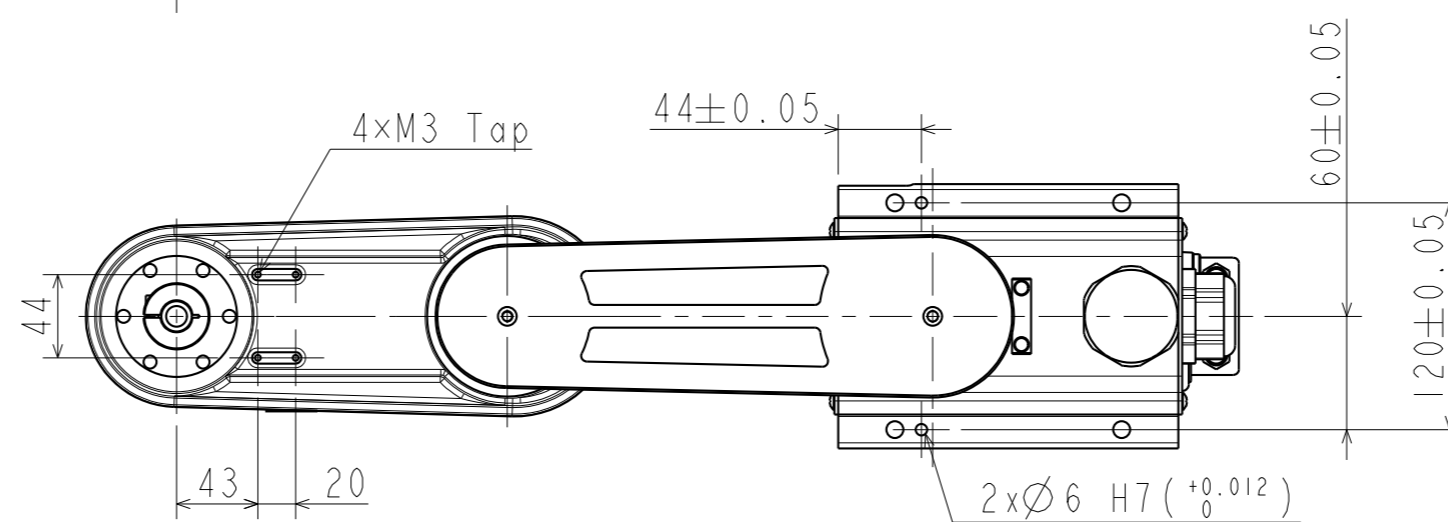


Pneumatic joint for users
 (3xØ4 tube)

Pneumatic tubes are included.
 Routing by the user.



Part A-A



System Robot Outline	
Scale 1:4	
THL400-T	
SHIBAURO MACHINE CO., LTD.	S-2GE14-2