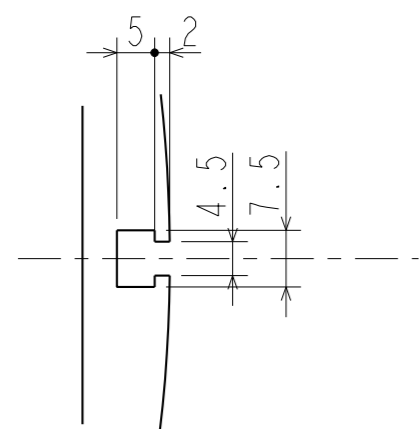
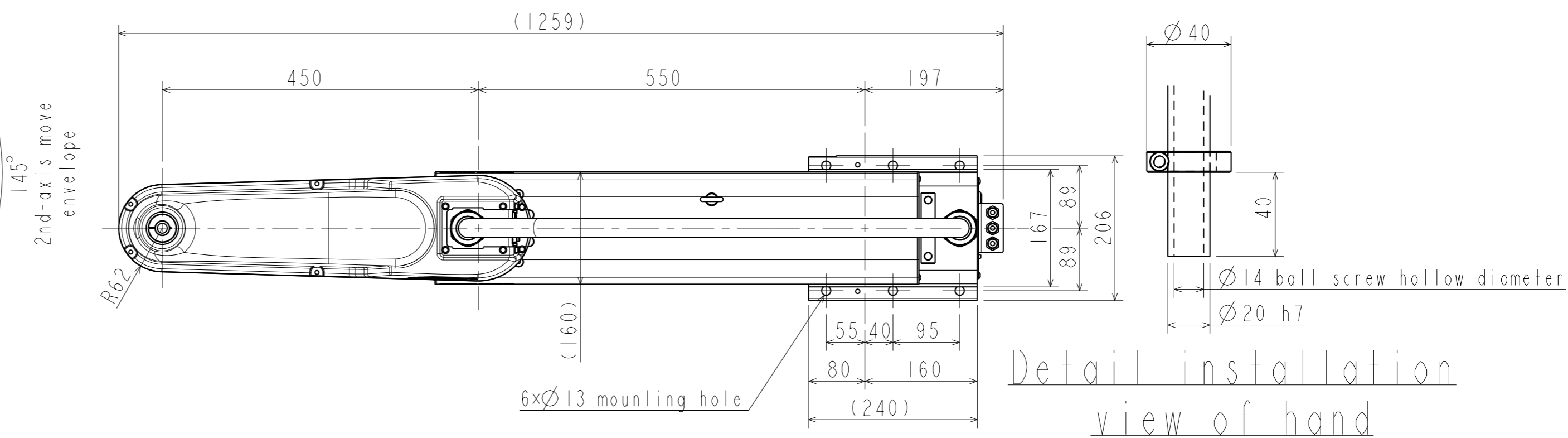
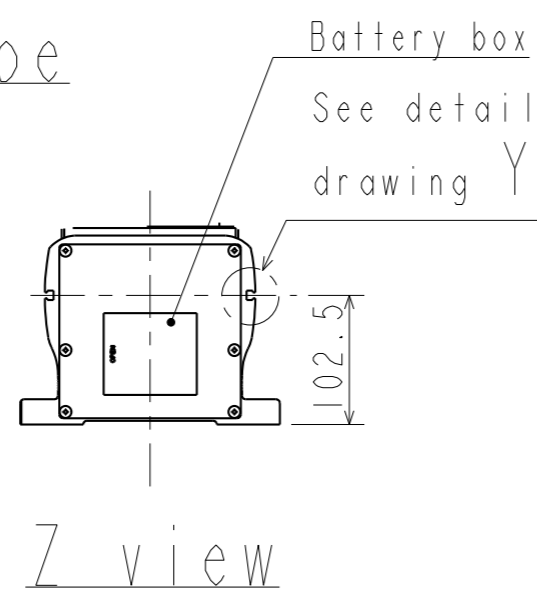


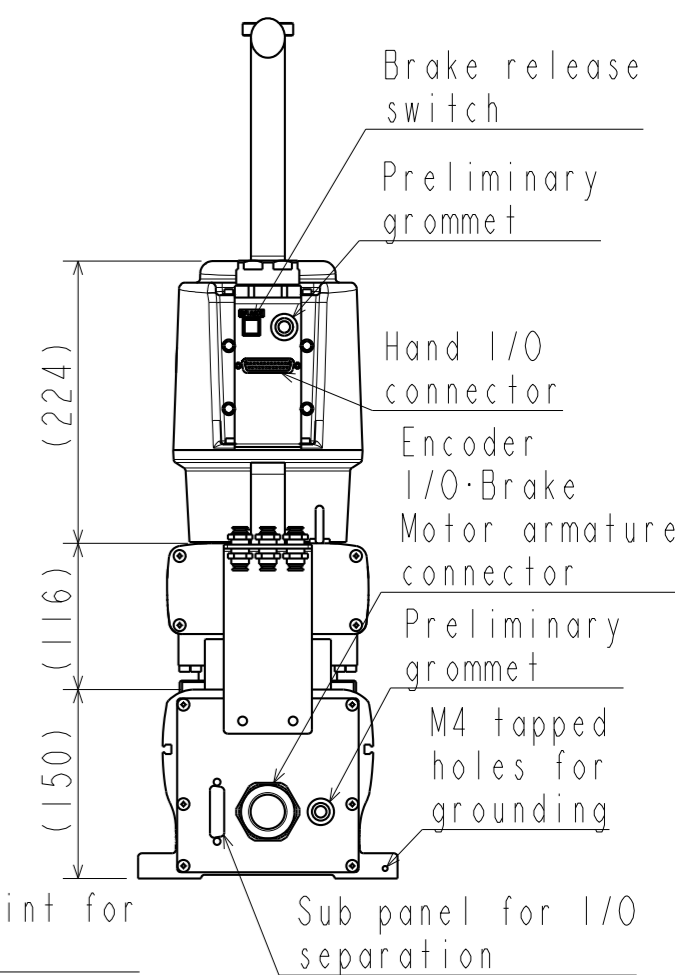
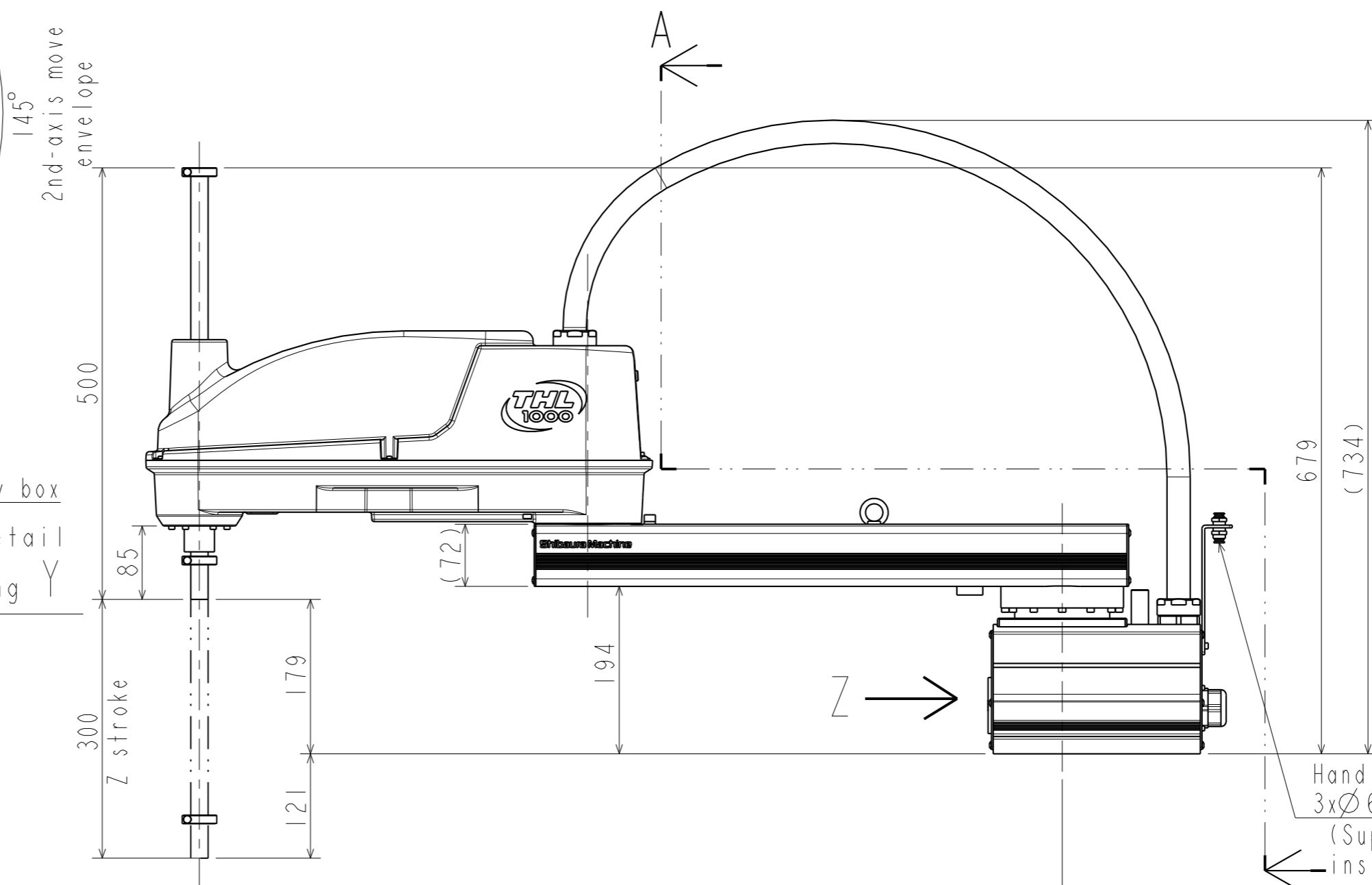
Move envelope
Scale 1:10



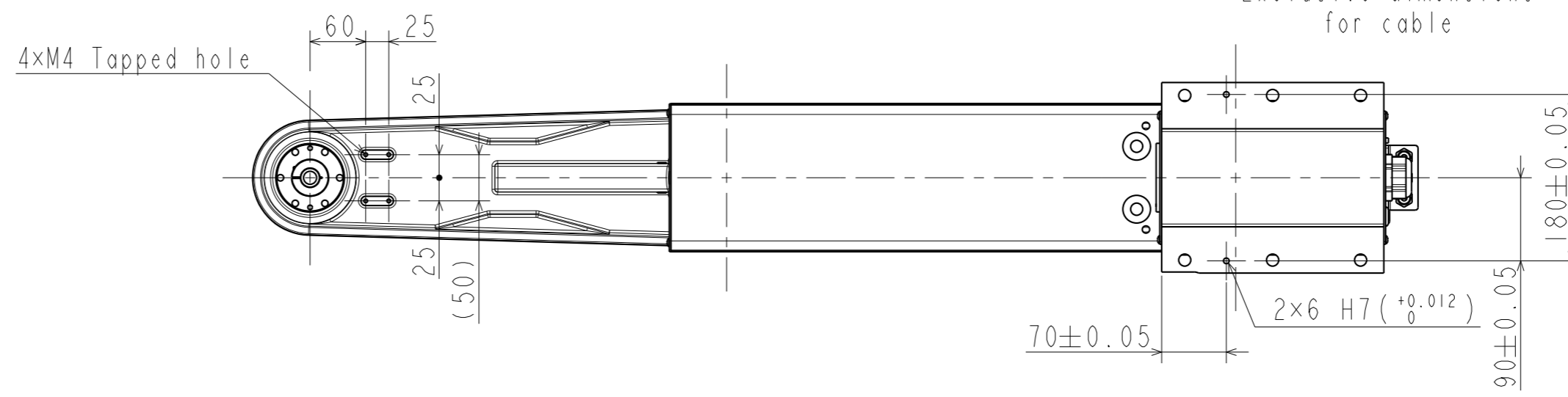
Detail drawing Y 2 location
(Detail of T-slot for mounting peripheral Device)
Scale 1:1



Scale 1:2



Cross-section view A-A



System Robot Outline	
Scale 1:6	
THL1000	
SHIBAURA MACHINE CO., LTD.	S-2GA84-2