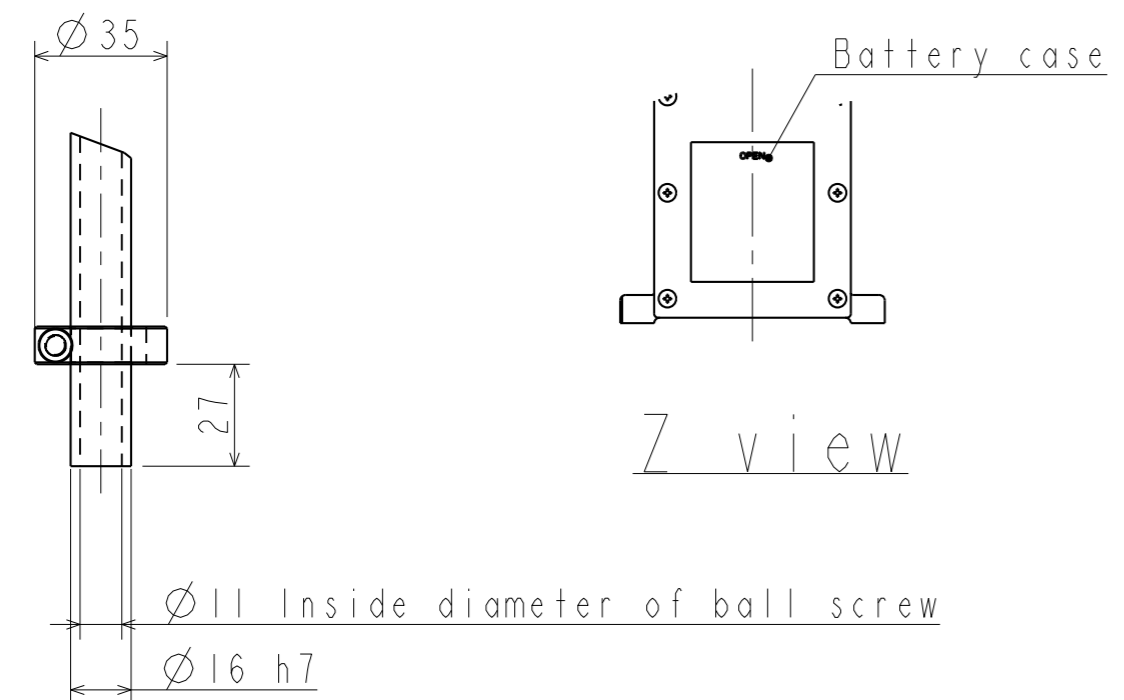
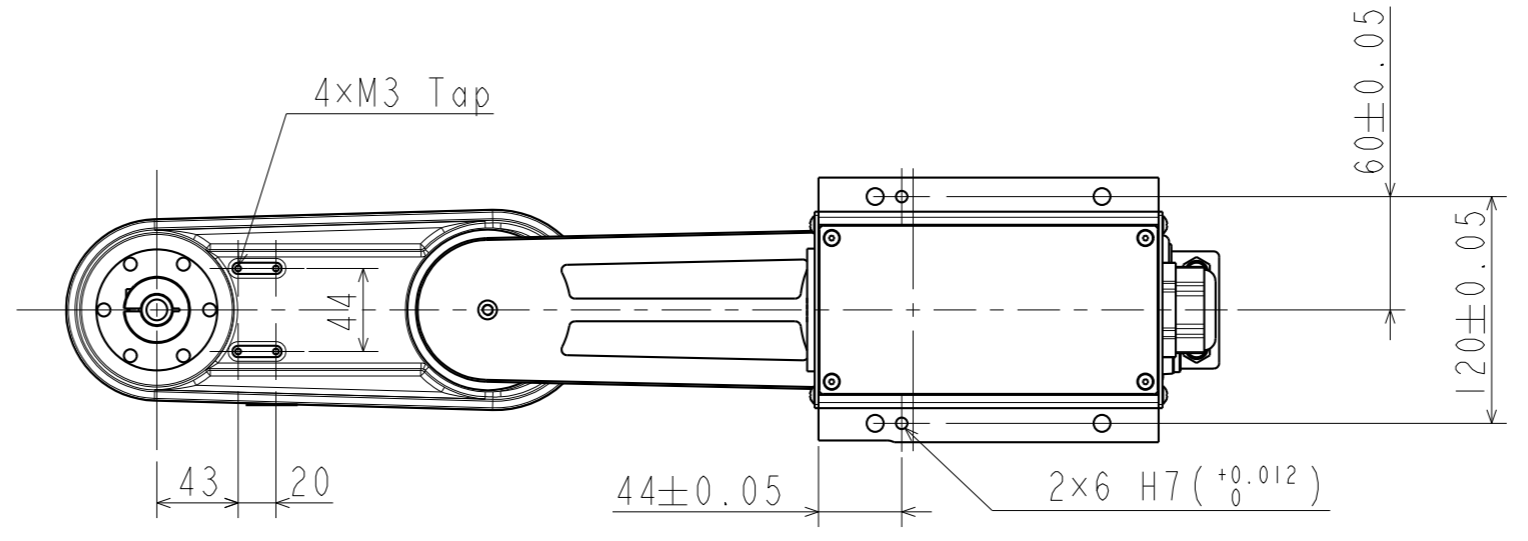
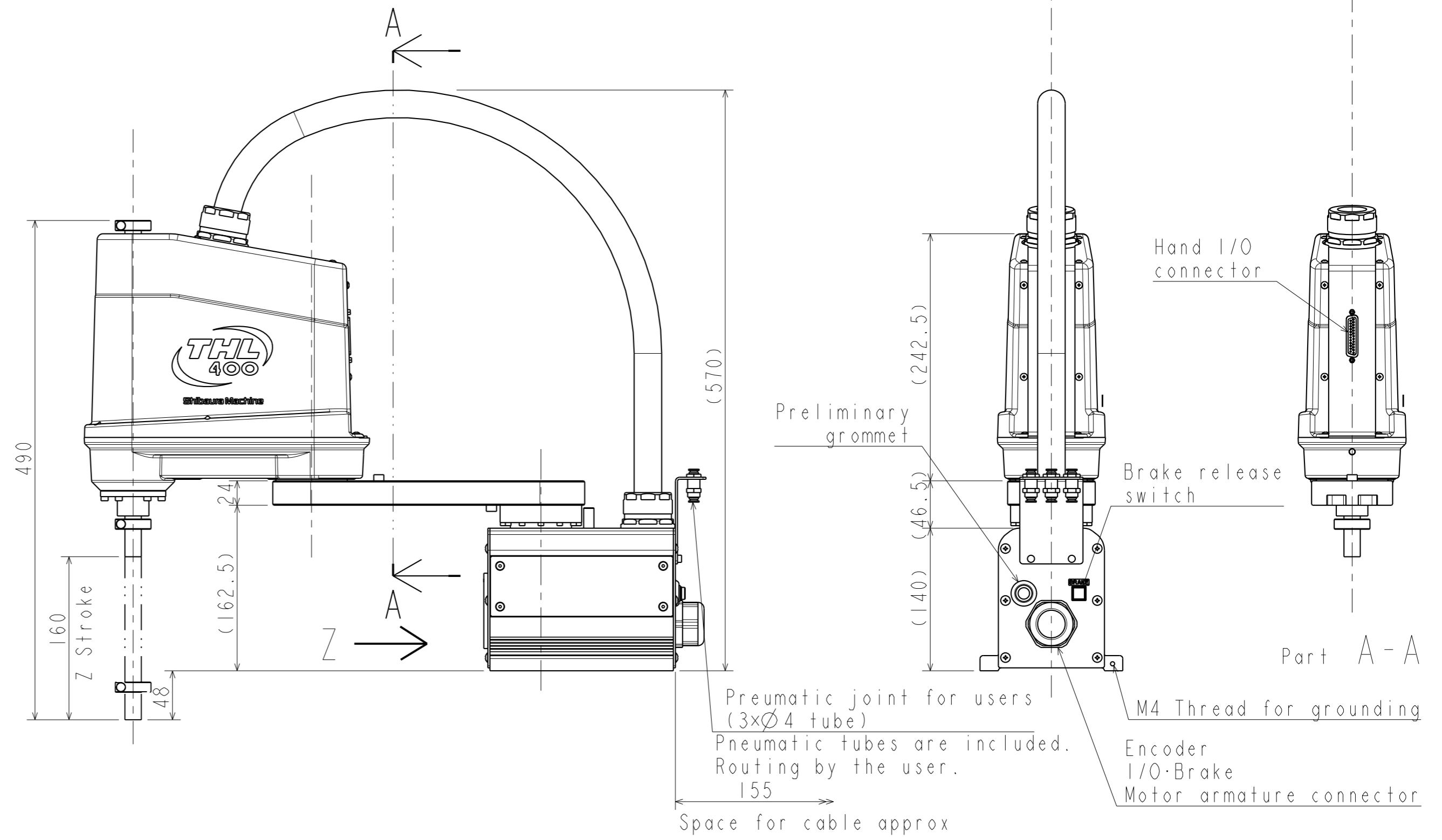
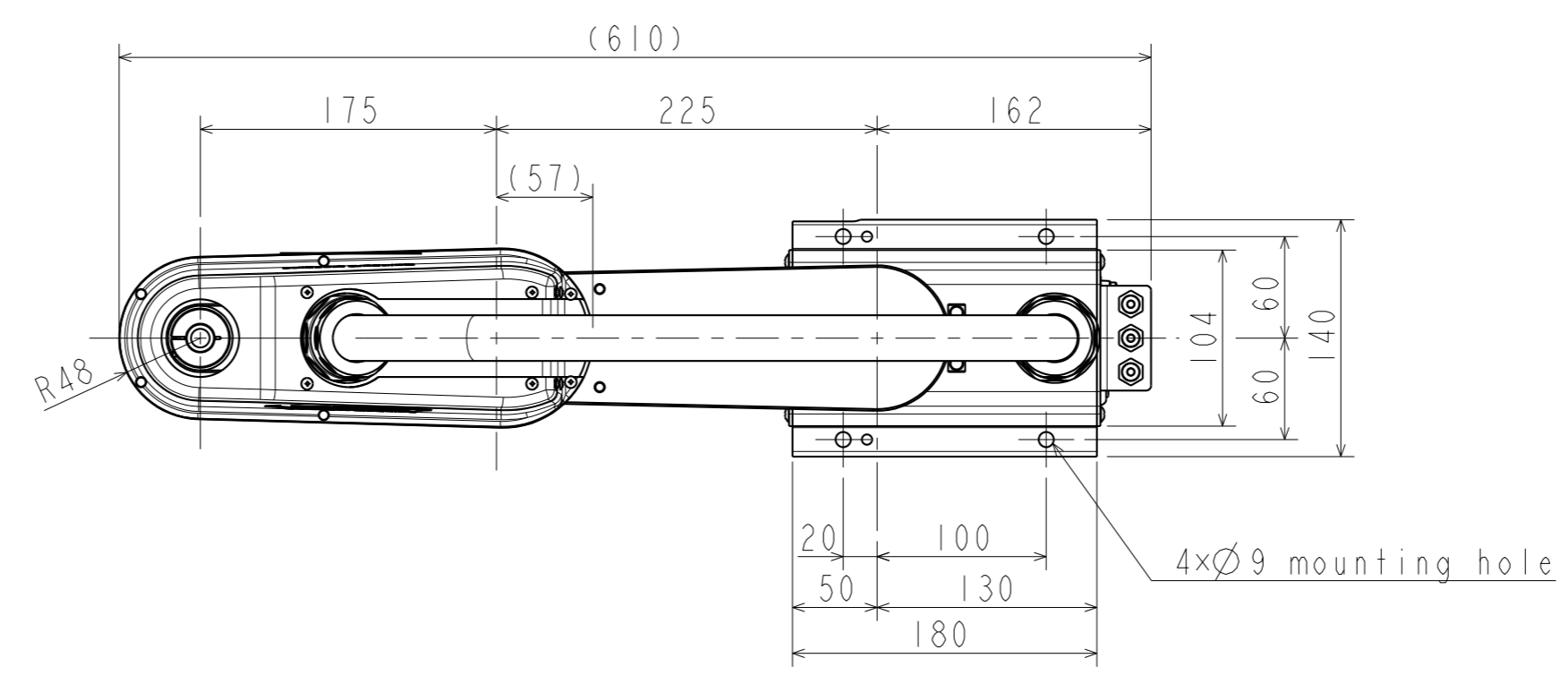


Move envelope  
 Scale 1:5



Detail installation view of hand  
 Scale 1:2



System Robot Outline	
Scale 1:4	
THL400	
SHIBURA MACHINE CO.,LTD.	S-2GA25-4